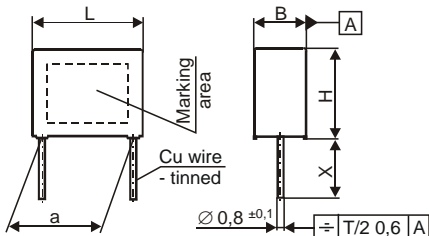


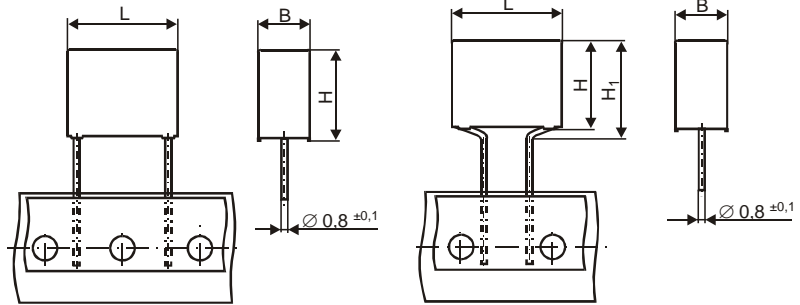
WXPC

INTERFERENCE SUPPRESSION CAPACITORS OF CLASS X2 / 275 VAC

WXPC – version 00, 01



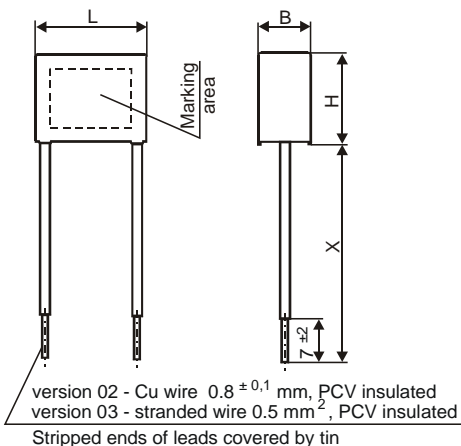
Taped



Lead spacing of 10.0 and 15.0 mm
– the pitch of holes on carrier tape
12.7 mm

Lead spacing of 10.0 and 15.0 mm
– crimped to the lead spacing of 7.5 mm
– the pitch of holes on carrier tape
15.0 mm

WXPC – version 02,03



Standard lead lengths

X = 6 ±1 mm for version 00

X = 35 ±5 mm for version 01; 02; 03

APPLICATION

The WXPC interference suppression capacitors of class X2 are designed to attenuate RFI signals in electronic / electrical equipment supplied with AC voltage not exceeding 275 V with the frequency of 50/60 Hz.

CONSTRUCTION

Non-inductive metallized polypropylene winding encapsulated in self-extinguishing material meeting the requirements of UL 94 V-0.

REQUIREMENTS

The WXPC capacitors meet the requirements of EN 60384-14 standard for class X2. This product fulfils the requirements of the RoHS Directive (2002/95/EC).

MIFLEX S.A.

ZAKŁADY PODZESPOŁÓW RADIOWYCH
99-300 KUTNO, UL. GRUNWALDZKA 3, POLAND

Tel.: (48) (24) 355 11 00-02

Fax: (48) (24) 355 11 88

E-mail: miflex@miflex.com.pl

page 1
pages 2


Revision date: 06.02.2008

WXPC

INTERFERENCE SUPPRESSION CAPACITORS OF CLASS X2 / 275 VAC

TECHNICAL DATA

- Rated voltage – 275 Vac 50/60 Hz
- Dissipation factor – ≤ 0.0010 at $f = 1$ kHz for $C_R > 1.0 \mu\text{F}$
- ≤ 0.0010 at $f = 10$ kHz for $C_R \leq 0.1 \mu\text{F}$
- ≤ 0.0050 at $f = 10$ kHz for $0.1 \mu\text{F} < C_R \leq 1.0 \mu\text{F}$
- Insulation resistance – $\geq 30\,000 \text{ M}\Omega$ for $C_R \leq 0.33 \mu\text{F}$
- $\geq 10\,000 \text{ M}\Omega \times \mu\text{F}$ for $C_R > 0.33 \mu\text{F}$
- Production voltage test – The 100 % screening factory test is carried out at 2150 Vdc per 1 sec. All electrical characteristics are checked after the test.
- Voltage change rate [du/dt] – 100 V/ μs
- Climatic category – 40/100/56/C
- Standard – WT-04/MIFLEX/WXP + App. No 2

Code	Version	Rated capacitance	Dimensions					Safety approvals					
			L ± 0.3	H ± 0.3	H ₁ max	B ± 0.3	a						
								EN 60384-14 275 Vac					
–	–	μF	mm	mm	mm	mm	mm						
WXPC-103K or M	00; 01	0.010	13.0	10.5	12.5	4.5	10.0 ± 0.5	•					
WXPC-153K or M		0.015						•					
WXPC-223K or M		0.022						•					
WXPC-333K or M		0.033						•					
WXPC-473M		0.047						•					
WXPC-473K or M	00; 01; 02; 03	0.047	18.0	10.5	12.5	6.5	15.0 ± 0.5	•					
WXPC-683M		0.068						•					
WXPC-104K or M		0.10						•					
WXPC-154K or M		0.15						•					
WXPC-224K or M		0.22						•					
WXPC-224K or M		0.22						26.5	15.5	–	7.5	22.5 ± 0.7	•
WXPC-274K or M		0.27											•
WXPC-334K or M		0.33											•
WXPC-474K or M		0.47						31.5	18.5	–	10.5	27.5 ± 0.7	•
WXPC-684K or M		0.68											•
WXPC-105K or M	1.0	•											
WXPC-155M	1.5	24.5	–	15.0		•							

Capacitance tolerance:

- K $\rightarrow \pm 10 \%$
- M $\rightarrow \pm 20 \%$

Approvals in use = •

 **MIFLEX S.A.**

ZAKŁADY PODZESPOŁÓW RADIOWYCH
99-300 KUTNO, UL. GRUNWALDZKA 3, POLAND

Tel.: (48) (24) 355 11 00-02

Fax: (48) (24) 355 11 88

E-mail: miflex@miflex.com.pl

page 2

pages 2

Revision date: 06.02.2008