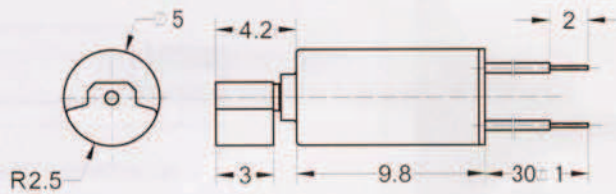
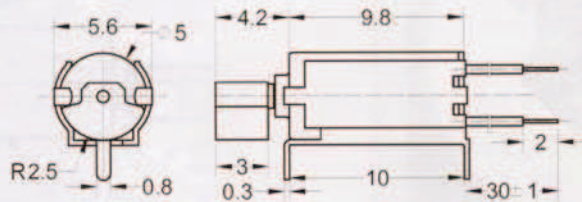


∅ 5mm

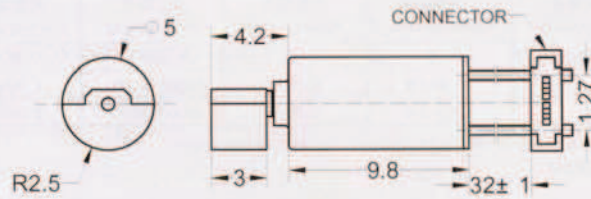
ITEM NO:QX-5A



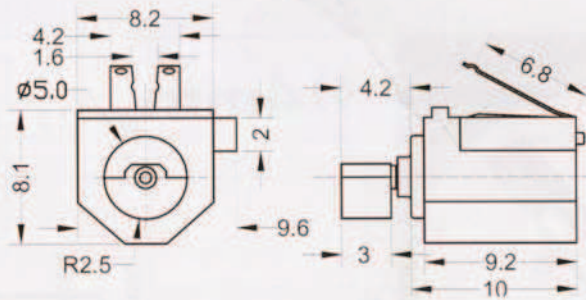
QX5A



QX5A-J



QX5A-C



QX501-H

型號 Model	額定電壓 Rated voltage	電壓範圍 Operating voltage	額定電流 Rated current	額定轉速 Rated Speed	起動電壓 Starting Voltage	堵轉電流 stall Current	電樞電阻 Terminal Resistance	軸向間隙 End play of Shaft	重量 (約) Weight(approx)
	V	V	mA	rpm	V	mA	Ω (approx)	mm	g
∅ 5 Series	1.3	0.9~1.6	80Max	10000 ±2000	0.85Max	120Max	12	0.1~0.3	1.7

■ Specification of vibrator and holder can be designed according to customer's requirements
 振子規格和支架座可按顧客要求設定