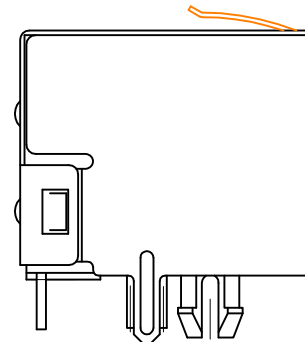


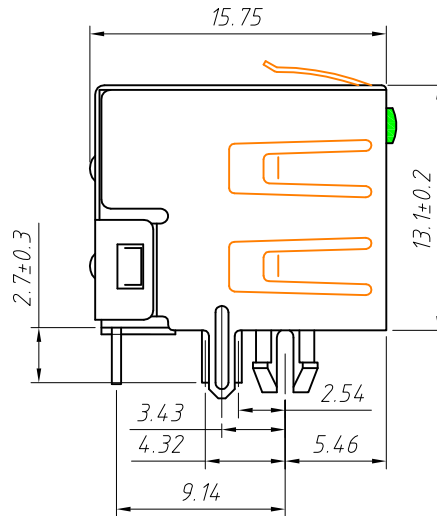
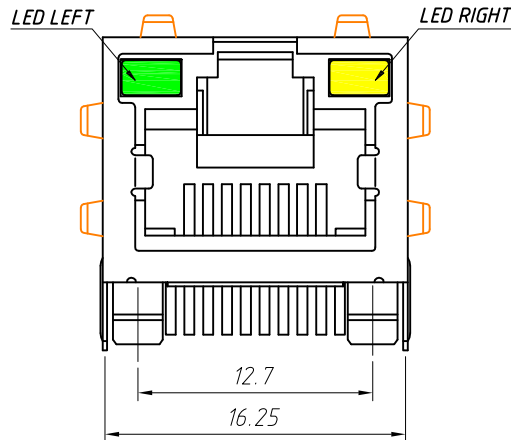
With Shield



TOP EMI Shield

Material:
Housing: PBT+Glass Filled Polyester
Flammability Rating: UL94V-0
Contacts: Phosphor Bronze $\phi 0.46\text{mm}$
Plating: Gold Plating
Shield: Brass, Tin Plating

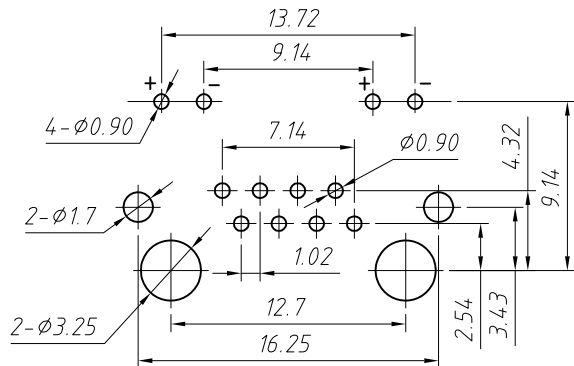
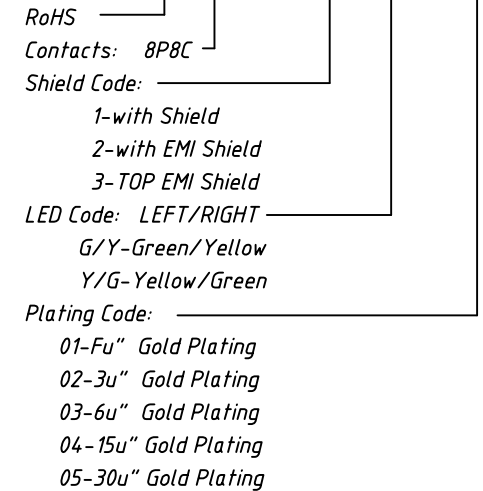
Electrical:
Voltage Rating: 125VAC
Current Rating: 1.5A
Contact Resistance: 30m Ω Max.
Insulation Resistance: 500M Ω Min.
Dielectric Strength: 1000VAC Rms
 50Hz, 1 Min.
Durability: 600 cycles Min.
Operation Temperature: -40°C ~ +70°C



With EMI Shield

Order Information

L-KLS12-108-8P8C- 1x1 -X- G/Y-0-XX



PCB Layout

GENERAL TOLERANCE	PROJECTION		Description:
.X ± 0.30	UNITS	mm	Modular jacks with LED, RJ45-8P8C 1x1 with SHELL
.X ± 0.25	SCALE	1:1	
.XX ± 0.20	Draw by:	Jenny	KLS P/N: L-KLS12-108-8P8C-1x1-X-X/X-0-XX
ANGLE TOLERANCE	Check by:	Daniel	NingBo KLS ELECTRONIC CO.,LTD.
.X $\pm 3^\circ$	Date	2019-12-26	
.X $\pm 2^\circ$	SHEET	1 OF 1	
.XX $\pm 1^\circ$			