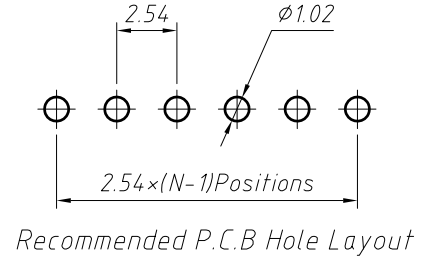
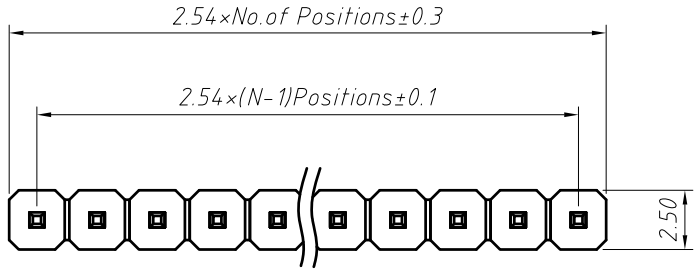


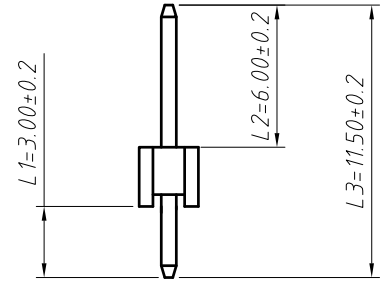
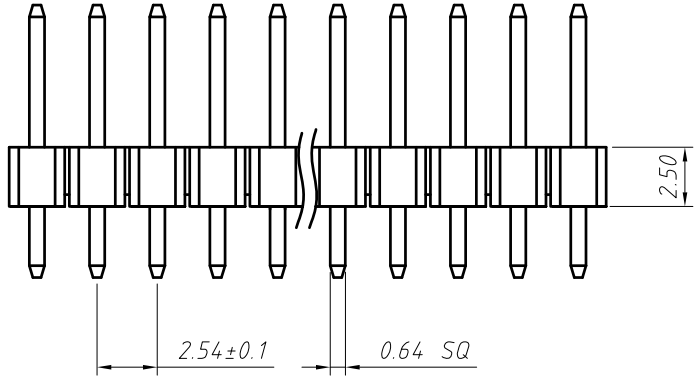
1  
RoHS Compliance



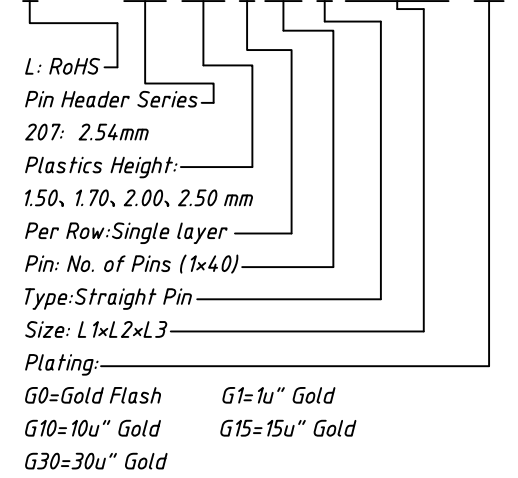
**Material:**  
Standard: PA6T  
Contact: Brass  
Insulator: Polyester, UL 94V-0

**Electrical Characteristics:**  
Rated Current: 3AMP  
Contact Resistance: 20mΩ Max  
Withstand Voltage: 1000V AC/DC  
Insulator Resistance: 1000MΩ Min

**Mechanical**  
Operating Temperature: -40°C ~ +105°C



**Order Information:**  
L-KLS1-207-2.50-1-XX-S-L1xL2xL3-G0

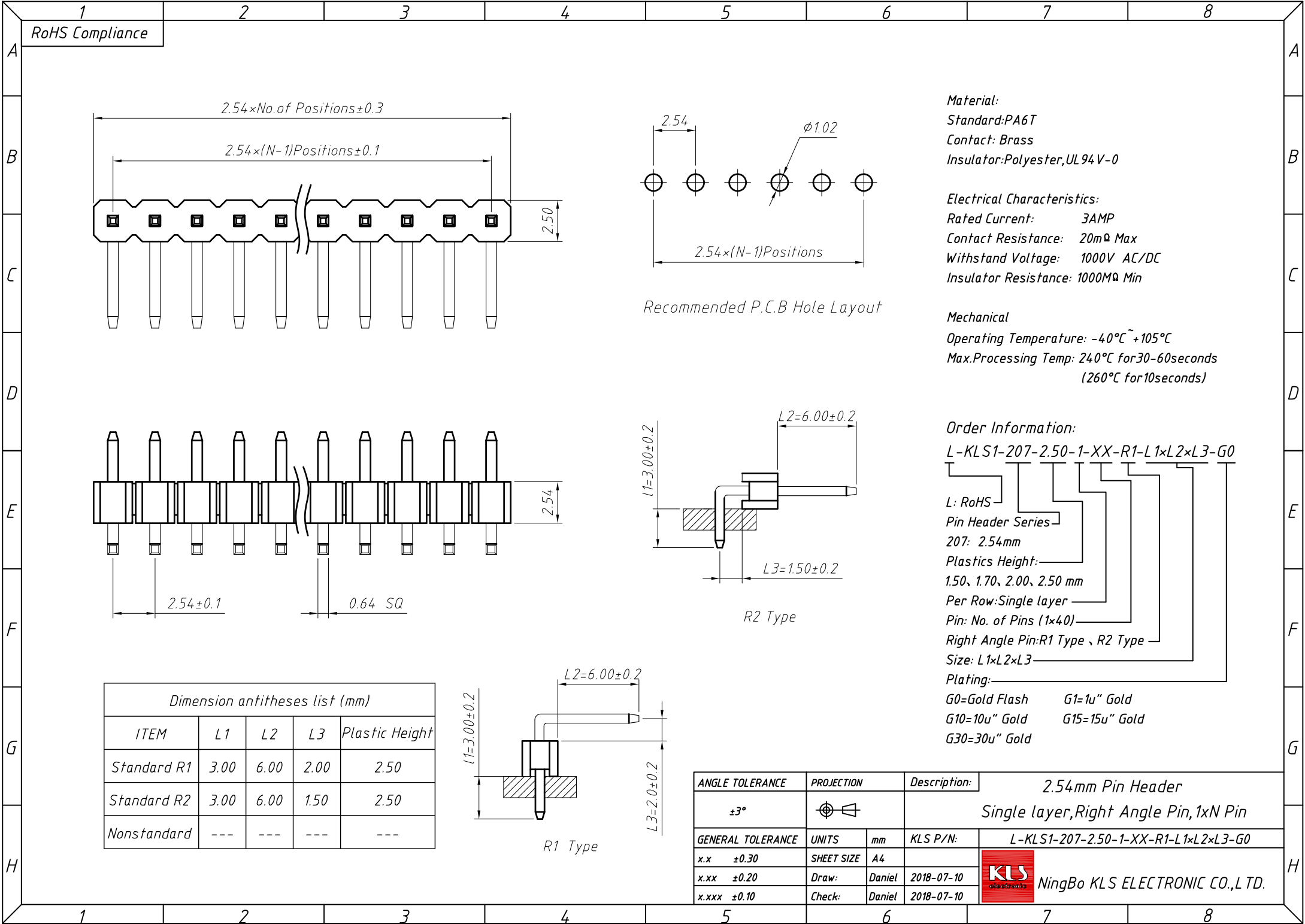


Dimension antitheses list (mm)

ITEM	L1	L2	L3	Plastic Height
Standard	3.00	6.00	11.50	2.50
Nonstandard	---	---	---	---

ANGLE TOLERANCE	PROJECTION	Description:	2.54mm Pin Header
±3°			Single layer, Straight Pin, 1xN Pin
GENERAL TOLERANCE	UNITS	mm	KLS P/N: L-KLS1-207-2.50-1-XX-S-L1xL2xL3-G0
x.x ±0.30	SHEET SIZE	A4	NingBo KLS ELECTRONIC CO.,L TD.
x.xx ±0.20	Draw:	Daniel 2018-07-10	
x.xxx ±0.10	Check:	Daniel 2018-07-10	

1  
RoHS Compliance



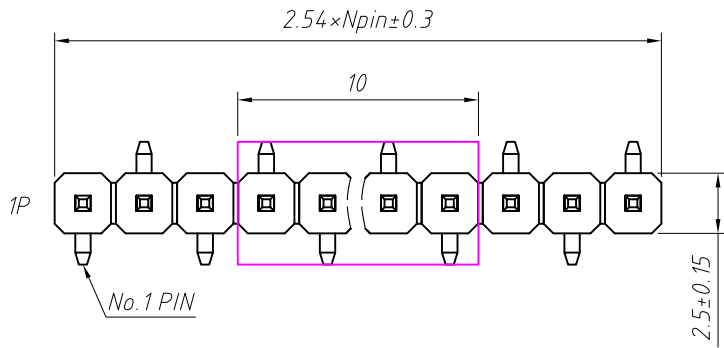
Dimension antitheses list (mm)

ITEM	L1	L2	L3	Plastic Height
Standard R1	3.00	6.00	2.00	2.50
Standard R2	3.00	6.00	1.50	2.50
Nonstandard	---	---	---	---

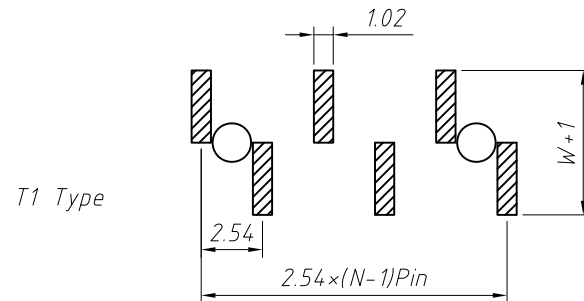
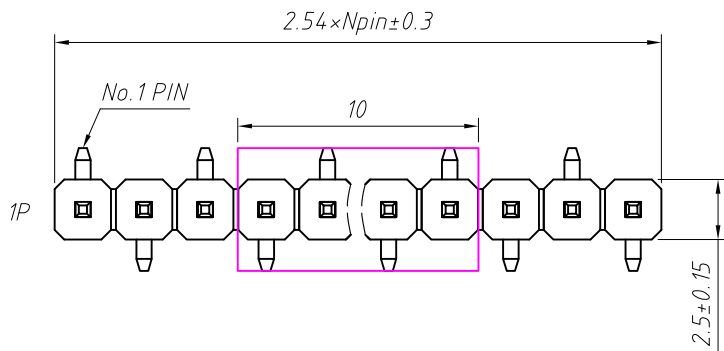
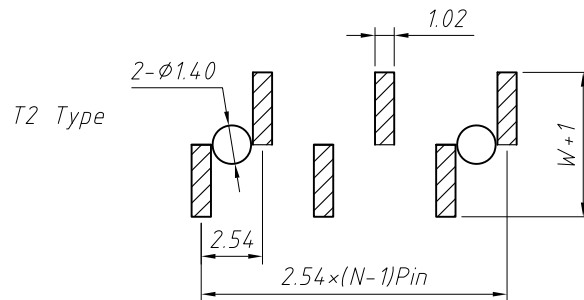
ANGLE TOLERANCE	PROJECTION	Description:
±3°		2.54mm Pin Header Single layer,Right Angle Pin,1xN Pin
GENERAL TOLERANCE	UNITS	mm
x.x ±0.30	SHEET SIZE	A4
x.xx ±0.20	Draw:	Daniel 2018-07-10
x.xxx ±0.10	Check:	Daniel 2018-07-10

**KLS** NingBo KLS ELECTRONIC CO.,L TD.

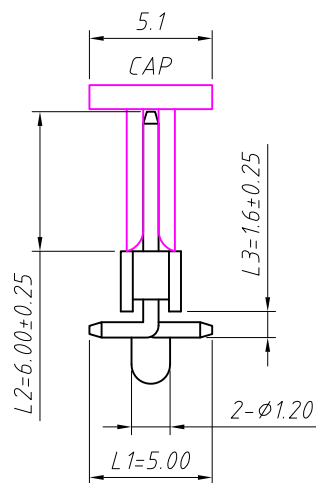
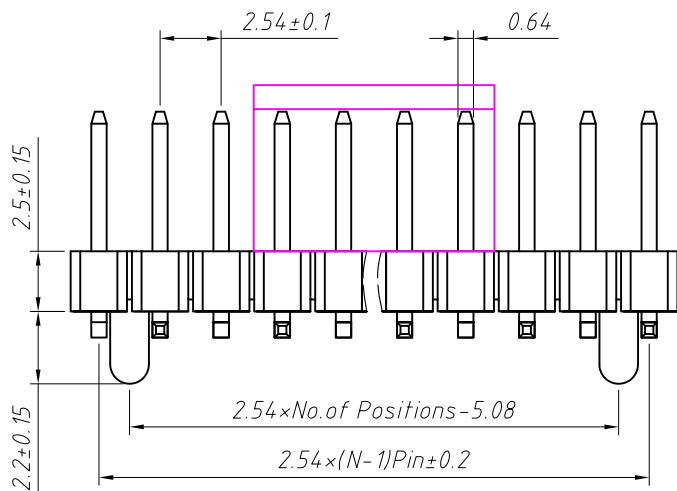
RoHS Compliance



**Recommended P.C.B Layout (Top Side)**  
(PCB BOARD TOLERANCE ± 0.05)



W=With Post



Dimension antitheses list (mm)				
ITEM	L1	L2	L3	Plastic Height
Standard	5.00	6.00	1.60	2.50
Nonstandard	---	---	---	---

**Material:**  
Standard: PA6T  
Contact: Brass  
Insulator: Polyester, UL94V-0

**Electrical Characteristics:**  
Rated Current: 3AMP  
Contact Resistance: 20mΩ Max  
Withstand Voltage: 1000V AC/DC  
Insulator Resistance: 1000MΩ Min

**Mechanical**  
Operating Temperature: -40°C ~ +105°C  
Max. Processing Temp: 230°C for 30-60 seconds  
(260°C for 5 seconds)

**Order Information:**

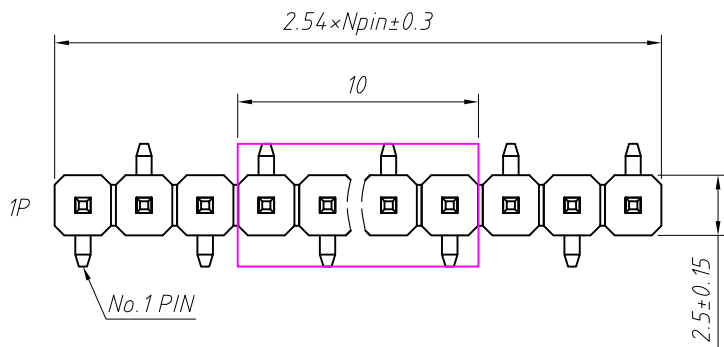
L-KLS1-207-2.50-1-XX-T1-L1xL2xL3-G0-W-R

L: RoHS  
Pin Header Series: 207: 2.54mm  
Plastics Height: 1.50, 1.70, 2.00, 2.50 mm  
Per Row: Single layer  
Pin: No. of Pins (1x40)  
SMT: T1 Type, T2 Type  
Size: L1xL2xL3  
Plating: G0=Gold Flash G1=1u" Gold G10=10u" Gold G15=15u" Gold G30=30u" Gold  
Post: W=With Post N=W/O Post  
Packing: 0=PE Bag A=Tray T=Tube P=Tube+Cap R=Reel+Cap

ANGLE TOLERANCE	PROJECTION	Description:	2.54mm Pin Header Single layer, SMT, 1xN Pin	
±3°				
GENERAL TOLERANCE	UNITS	mm	KLS P/N:	L-KLS1-207-2.50-1-XX-T1-L1xL2xL3-G0-W-R
x.x ±0.30	SHEET SIZE	A4		
x.xx ±0.20	Draw:	Daniel	2018-07-10	
x.xxx ±0.10	Check:	Daniel	2018-07-10	

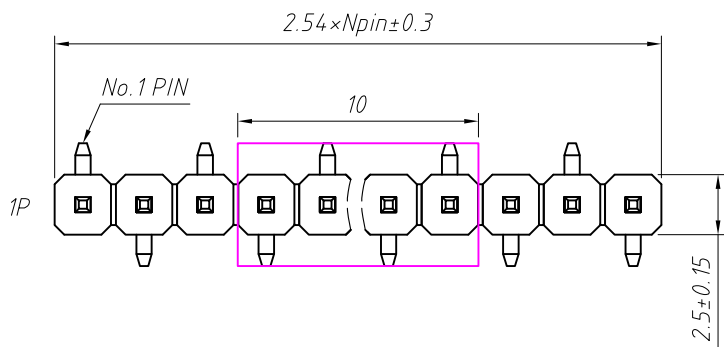
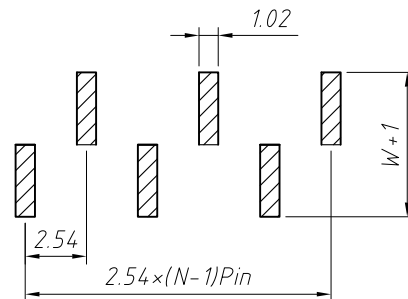
NingBo KLS ELECTRONIC CO., L TD.

RoHS Compliance

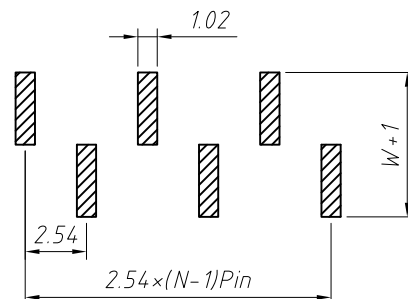


T2 Type

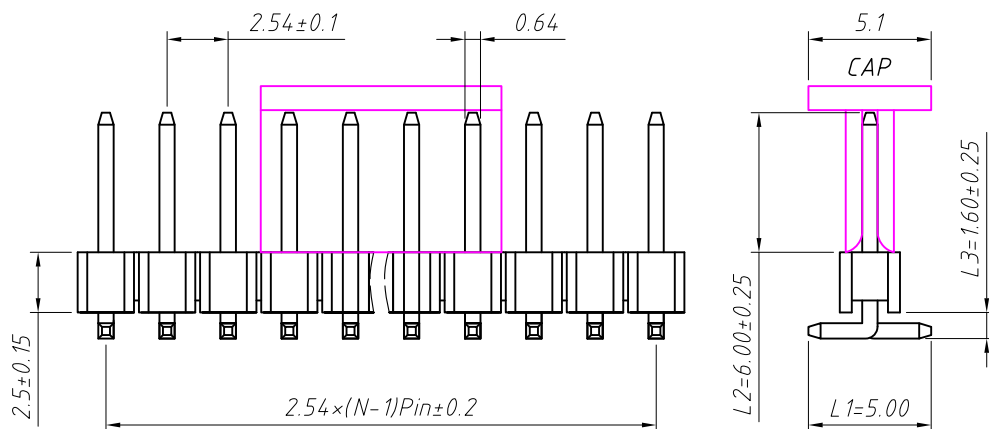
Recommended P.C.B Layout (Top Side)  
(PCB BOARD TOLERANCE ± 0.05)



T1 Type



N=W/O Post



Dimension antitheses list (mm)				
ITEM	L1	L2	L3	Plastic Height
Standard	5.00	6.00	1.60	2.50
Nonstandard	---	---	---	---

Material:  
Standard: PA6T  
Contact: Brass  
Insulator: Polyester, UL94V-0

Electrical Characteristics:  
Rated Current: 3AMP  
Contact Resistance: 20mΩ Max  
Withstand Voltage: 1000V AC/DC  
Insulator Resistance: 1000MΩ Min

Mechanical  
Operating Temperature: -40°C ~ +105°C  
Max. Processing Temp: 230°C for 30-60 seconds  
(260°C for 5 seconds)

Order Information:

L-KLS1-207-2.50-1-XX-T1-L1xL2xL3-G0-N-R

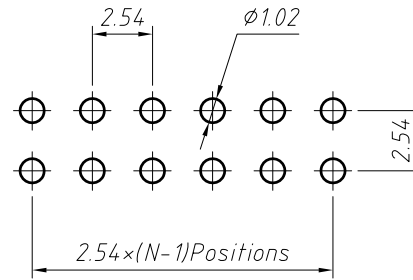
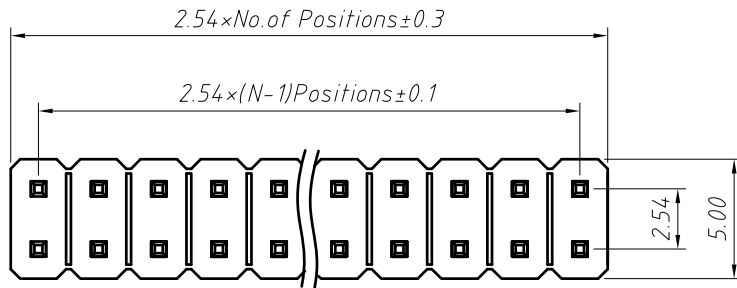
L: RoHS  
Pin Header Series  
207: 2.54mm  
Plastics Height:  
1.50, 1.70, 2.00, 2.50 mm  
Per Row: Single layer  
Pin: No. of Pins (1x40)  
SMT: T1 Type, T2 Type  
Size: L1xL2xL3  
Plating:  
G0=Gold Flash G1=1u" Gold G10=10u" Gold  
G15=15u" Gold G30=30u" Gold  
Post: W=With Post N=W/O Post  
Packing:  
0=PE Bag A=Tray T=Tube  
P=Tube+Cap R=Reel+Cap

ANGLE TOLERANCE	PROJECTION	Description:		
±3°		2.54mm Pin Header Single layer, SMT, 1xN Pin		
GENERAL TOLERANCE	UNITS	mm	KLS P/N:	L-KLS1-207-2.50-1-XX-T1-L1xL2xL3-G0-N-R
x.x ±0.30	SHEET SIZE	A4		
x.xx ±0.20	Draw:	Daniel	2018-07-10	
x.xxx ±0.10	Check:	Daniel	2018-07-10	



NingBo KLS ELECTRONIC CO., L TD.

1 RoHS Compliance

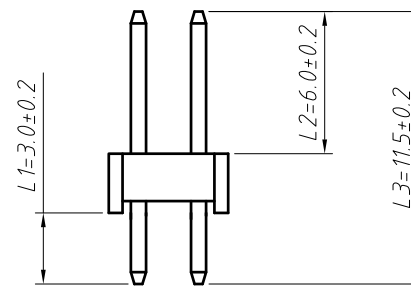
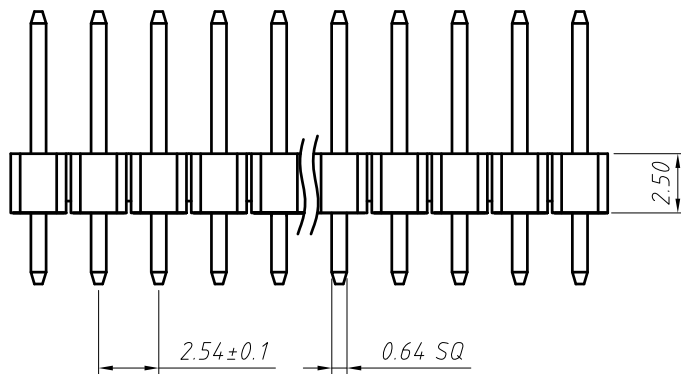


Recommended P.C.B Hole Layout

**Material:**  
 Standard: PA6T  
 Contact: Brass  
 Insulator: Polyester, UL 94 V-0

**Electrical Characteristics:**  
 Rated Current: 3AMP  
 Contact Resistance: 20mΩ Max  
 Withstand Voltage: 1000V AC/DC  
 Insulator Resistance: 1000MΩ Min

**Mechanical**  
 Operating Temperature: -40°C ~ +105°C



**Order Information:**

L-KLS1-207-2.50-2-XX-S-L1xL2xL3-G0

L: RoHS  
 Pin Header Series  
 207: 2.54mm  
 Plastics Height:  
 1.50, 1.70, 2.00, 2.50 mm  
 Per Row: Dual Row  
 Pin: No. of Pins (2x40)  
 Type: Straight Pin  
 Size: L1xL2xL3  
 Plating:  
 G0=Gold Flash G1=1u" Gold  
 G10=10u" Gold G15=15u" Gold  
 G30=30u" Gold

Dimension antitheses list (mm)

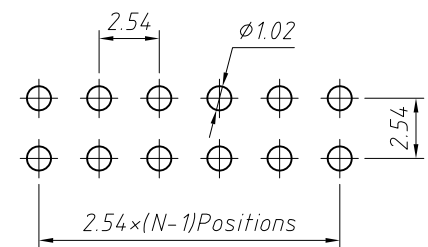
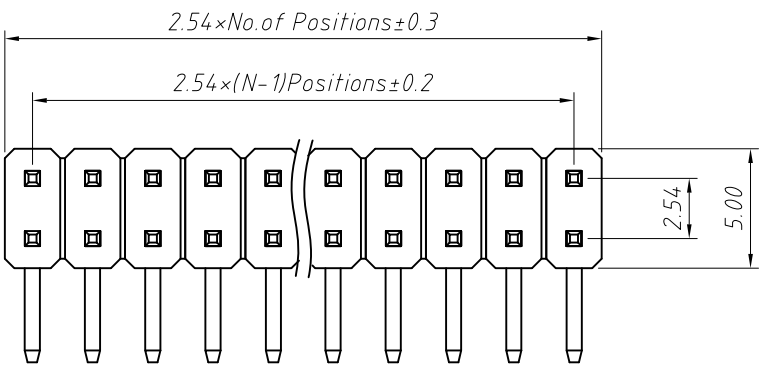
ITEM	L1	L2	L3	Plastic Height
Standard	3.00	6.00	11.5	2.50
Nonstandard	---	---	---	---

ANGLE TOLERANCE	PROJECTION	Description:
±3°		2.54mm Pin Header Dual Row, Straight Pin, 2xN Pin
GENERAL TOLERANCE	UNITS	mm
x.x ±0.30	SHEET SIZE	A4
x.xx ±0.20	Draw:	Daniel 2018-07-10
x.xxx ±0.10	Check:	Daniel 2018-07-10



NingBo KLS ELECTRONIC CO.,L TD.

1  
RoHS Compliance



Recommended P.C.B Hole Layout

Material:  
Standard: PA6T  
Contact: Brass  
Insulator: Polyester, UL 94V-0

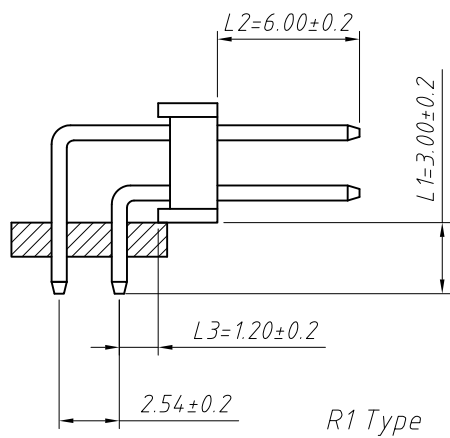
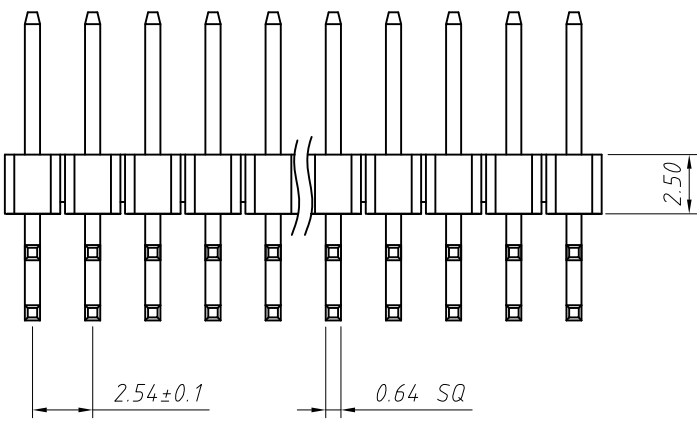
Electrical Characteristics:  
Rated Current: 3AMP  
Contact Resistance: 20mΩ Max  
Withstand Voltage: 1000V AC/DC  
Insulator Resistance: 1000MΩ Min

Mechanical  
Operating Temperature: -40°C ~ +105°C

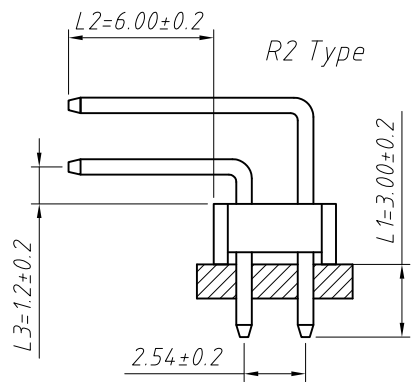
Order Information:

L-KLS1-207-2.50-2-XX-R1-L1xL2xL3-G0

L: RoHS  
Pin Header Series  
207: 2.54mm  
Plastics Height:  
1.50, 1.70, 2.00, 2.50 mm  
Per Row: Dual Row  
Pin: No. of Pins (2x40)  
Right Angle Pin: R1 Type, R2 Type  
Size: L1xL2xL3  
Plating:  
G0=Gold Flash    G1=1u" Gold  
G10=10u" Gold    G15=15u" Gold  
G30=30u" Gold



R1 Type



R2 Type

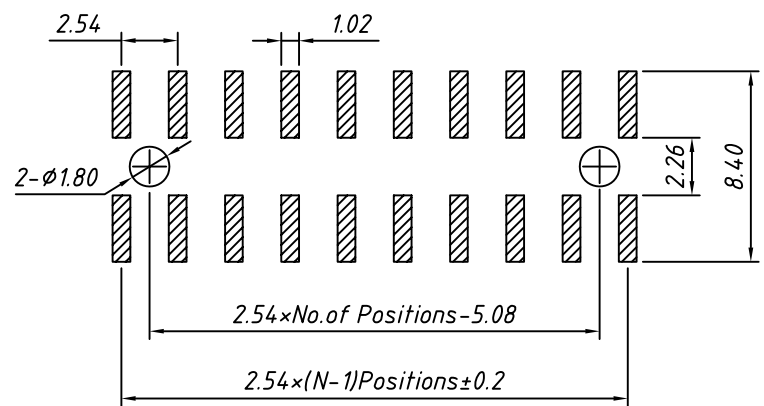
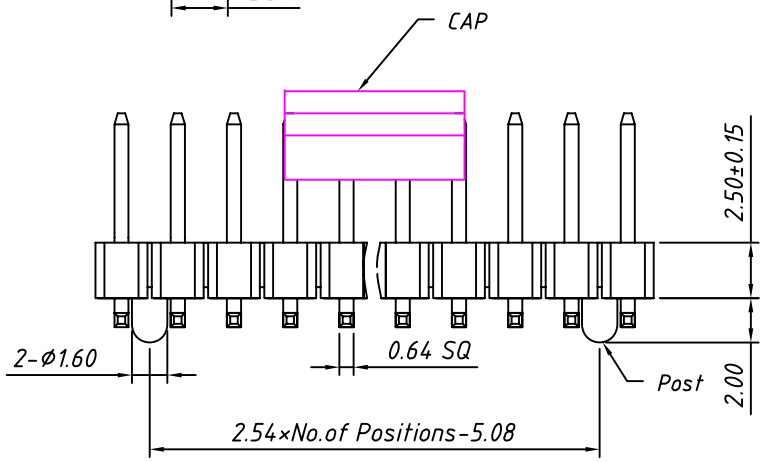
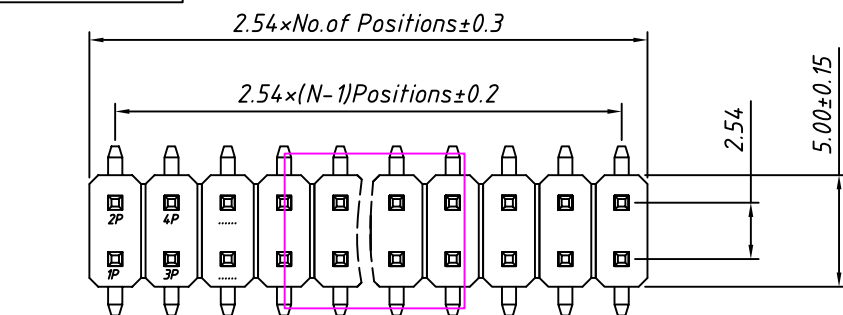
Dimension antitheses list (mm)				
ITEM	L1	L2	L3	Plastic Height
Standard	3.00	6.00	1.20	2.50
Nonstandard	---	---	---	---

ANGLE TOLERANCE	PROJECTION	Description:	2.54mm Pin Header Dual Row, Right Angle Pin, 2xN Pin	
±3°				
GENERAL TOLERANCE	UNITS	mm	KLS P/N:	L-KLS1-207-2.50-2-XX-R1-L1xL2xL3-G0
x.x	±0.30	SHEET SIZE	A4	
x.xx	±0.20	Draw:	Daniel	2018-07-10
x.xxx	±0.10	Check:	Daniel	2018-07-10

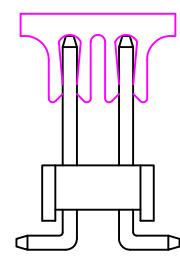


NingBo KLS ELECTRONIC CO.,L TD.

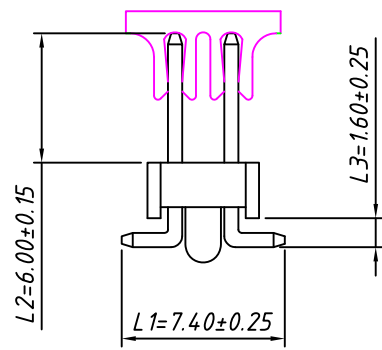
1 RoHS Compliance



Recommended P.C.B Layout (Top Side)  
(PCB BOARD TOLERANCE ± 0.05)



T=Without Post



T3=With Post

Dimension antitheses list (mm)				
ITEM	L1	L2	L3	Plastic Height
Standard	7.40	6.00	1.60	2.50
Nonstandard	---	---	---	---

Material:  
Standard: PA6T  
Contact: Brass  
Insulator: Polyester, UL 94V-0

Electrical Characteristics:  
Rated Current: 3AMP  
Contact Resistance: 20mΩ Max  
Withstand Voltage: 1000V AC/DC  
Insulator Resistance: 1000MΩ Min

Mechanical  
Operating Temperature: -40°C ~ +105°C  
Max. Processing Temp: 230°C for 30-60 seconds  
(260°C for 5 seconds)

Order Information:  
L-KLS1-207-2.50-2-XX-T-L1xL2xL3-G0-R

L: RoHS  
Pin Header Series  
207: 2.54mm  
Plastics Height:  
1.50, 1.70, 2.00, 2.50 mm  
Per Row: Dual Row  
Pin: No. of Pins (2x40)  
SMT: T=Without Post, T3=With Post  
Size: L1xL2xL3  
Plating:  
G0=Gold Flash G1=1u" Gold G10=10u" Gold  
G15=15u" Gold G30=30u" Gold  
Packing:  
0=PE Bag A=Tray T=Tube  
P=Tube+Cap R=Reel+Cap

ANGLE TOLERANCE	PROJECTION	Description:	2.54mm Pin Header Dual Row, SMT, 2xN Pin	
±3°				
GENERAL TOLERANCE	UNITS	mm	KLS P/N:	L-KLS1-207-2.50-2-XX-T-L1xL2xL3-G0-R
x.x ±0.30	SHEET SIZE	A4		
x.xx ±0.20	Draw:	Daniel	2018-07-10	NingBo KLS ELECTRONIC CO.,L TD.
x.xxx ±0.10	Check:	Daniel	2018-07-10	