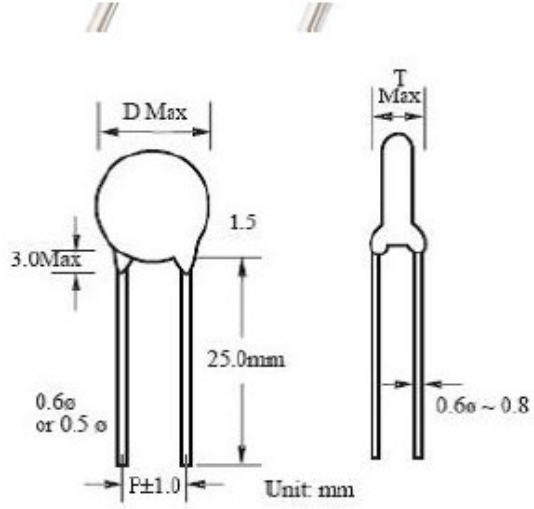


OPERATING CONDITION RANGE	-10°C to +85°C (Z5U, Z5V) -25°C to +85°C (Y5P)
RATED WORKING VOLTAGE	1 KV – 50KVDC
CAPACITANCE RANGE	100pF – 10,000pF
TEST VOLTAGE	2 times of the rated voltage.
DISSIPATION FACTOR (tan δ)	at 1 KHz, 1±0.2 Vrms. 25°C
Y5P, Z5U	tan δ ≤ 2.5%
Z5V	tan δ ≤ 5%
INSULATION RESISTANCE	10,000 MΩ or 200 MΩ whichever is the smaller



RATED W. V	SL	Y5P(B)	Y5U(E)	Y5V(F)	DIMENSION			
					D	P	T	d
1KV	680	501	102	332	06	5	4	0.6
	101	102	222	472	07	5		0.6
	151	152	562	123	08	5		0.6
	221	272	103		10	10		0.6
					13	7.5		0.6
2KV	680	471	102		06	5	5	0.6
	101		222		07	5		0.6
	121	102	332		08	5		0.6
	181		472	822	10	10		0.6
			103	153	13	10		0.6