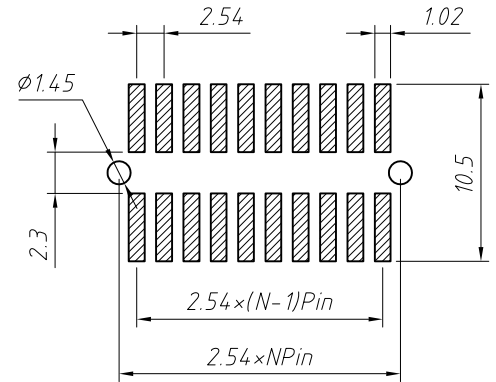
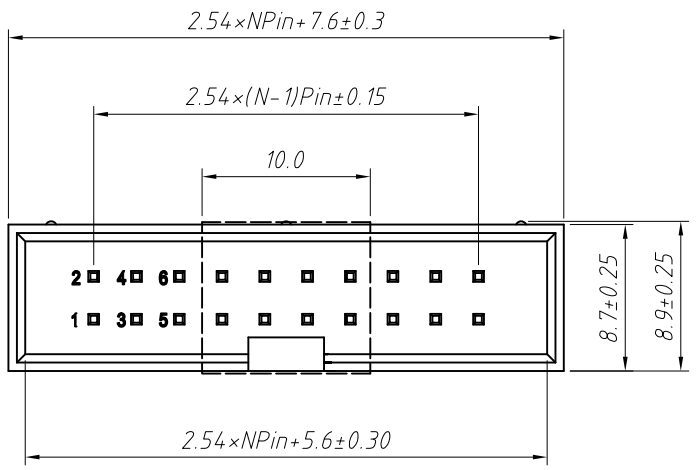


1  
RoHS Compliance

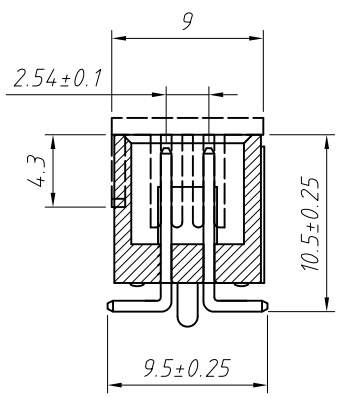
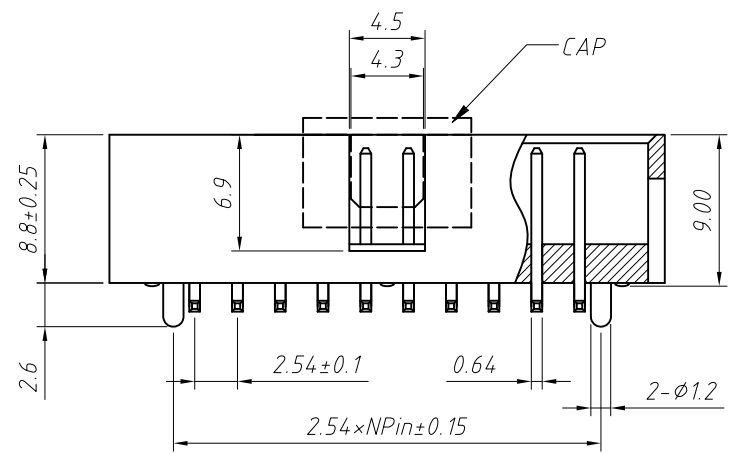


Recommended P.C.B Layout (Top Side)  
(PCB BOARD TOLERANCE  $\pm 0.05$ )

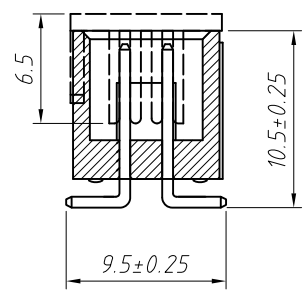
**Material:**  
Housing: PA6T, UL 94V-0  
Contact: Brass  
Plating: Gold flash plated

**Electrical Characteristics:**  
Rated Current: 3.0AMP  
Contact Resistance:  $20m\Omega$  Max  
Withstand Voltage: 1000V AC/DC  
Insulator Resistance:  $1000M\Omega$  Min

**Mechanical**  
Operating Temperature:  $-40^{\circ}C \sim +105^{\circ}C$   
Max. Processing Temp:  $230^{\circ}C$  for 30-60 seconds ( $260^{\circ}C$  for 10 seconds)



T3=With Post



T=Without Post

**Order Information:**  
L-KLS1-202-XX-T-B-B-T  
L: RoHS  
Box Header Series  
202: 2.54mm Pitch  
XX-No. of 06 ~ 64 pins  
SMT: T=Without Post  
T3=With Post  
Color: B-Black G-Gray  
Material: B=PA6T  
Packing:  
T=Tube P=Tube+Cap R=Reel+Cap

ANGLE TOLERANCE	PROJECTION	Description:
$\pm 3^{\circ}$		2.54mm Pitch Box Header Connector
GENERAL TOLERANCE	UNITS	mm
x.x $\pm 0.30$	SHEET SIZE	A4
x.xx $\pm 0.20$	Draw:	Daniel 2018-07-10
x.xxx $\pm 0.10$	Check:	Daniel 2018-07-10
		KLS NingBo KLS ELECTRONIC CO.,LTD.