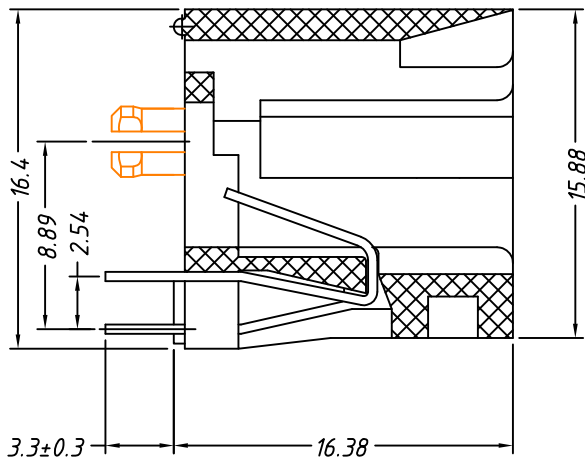
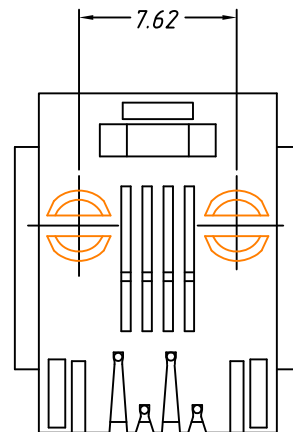


With Panel



SECTION A-A



Material:  
 Housing: PBT+Glass Filled Polyester  
 Flammability Rating : UL94 V-0  
 Contacts: Phosphor Bronze  $\phi 0.46\text{mm}$   
 Plating: Gold Plating

Electrical:  
 Voltage Rating: 125VAC  
 Current Rating: 1.5A  
 Contact Resistance: 30m $\Omega$  Max.  
 Insulation Resistance: 500M $\Omega$  Min.  
 Dielectric Strength: 1000VAC Rms 50Hz, 1 Min.  
 Durability: 600 cycles Min.  
 Operation Temperature: -40°C ~ +70°C

Order Information

L-KLS12-153-4P4C-X-X-1-XX

RoHS

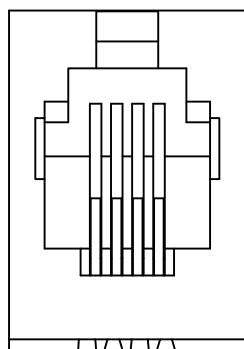
Contacts: 4P4C

Panel Code: W-with Panel  
 W/O-without Panel

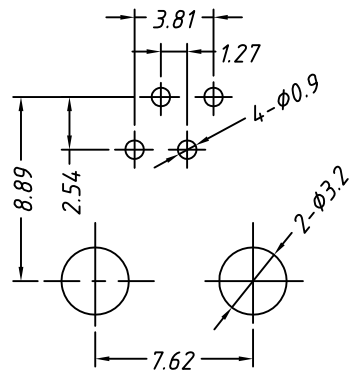
Peg Code: L-L Peg S-Split Peg

Color Code: 1-Black

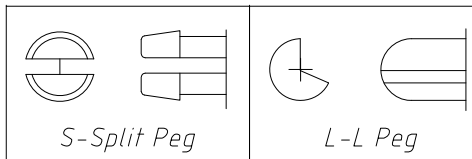
Plating Code:  
 01-Fu" Gold Plating  
 02-3u" Gold Plating  
 03-6u" Gold Plating  
 04-15u" Gold Plating  
 05-30u" Gold Plating



Without Panel



PCB Layout



GENERAL TOLERANCE	PROJECTION		Description:
X. $\pm 0.30$	UNITS	mm	RJ11-4P4C Vertical Modular jacks,Black
.X $\pm 0.25$	SCALE	1:1	
.XX $\pm 0.20$	Draw by:	Jenny	
ANGLE TOLERANCE	Check by:	Daniel	KLS P/N: L-KLS12-153-4P4C-X-X-1-XX
X. $\pm 3^\circ$	Date	2019-12-26	NingBo KLS ELECTRONIC CO.,LTD.
.X $\pm 2^\circ$	SHEET	1 OF 1	
.XX $\pm 1^\circ$			