

4

3

2

1

THIS DRAWING IS UNPUBLISHED. RELEASED FOR PUBLICATION
 © COPYRIGHT - By - ALL RIGHTS RESERVED.

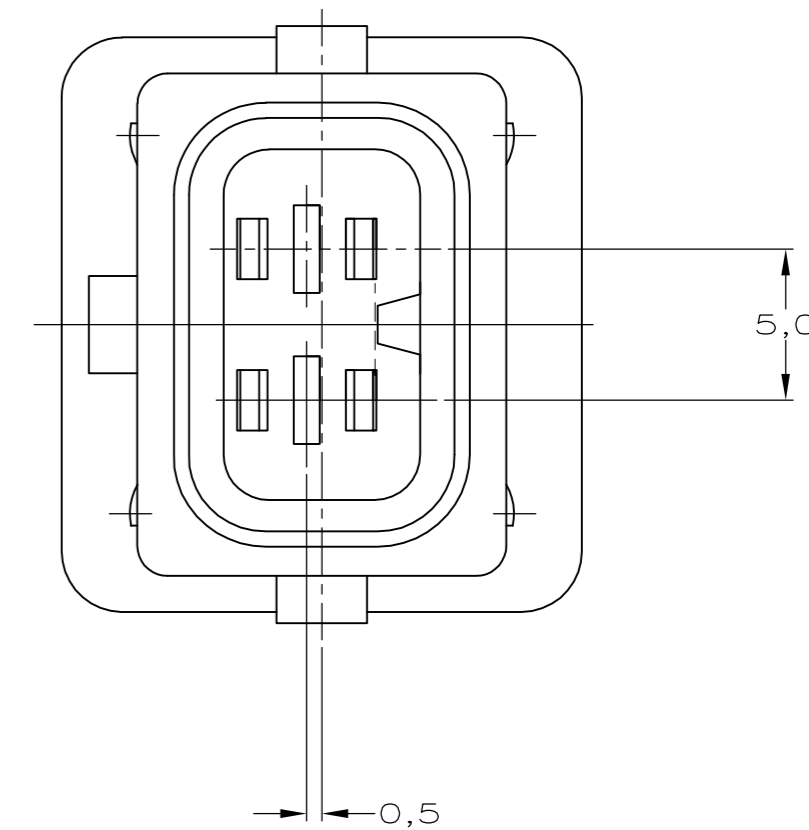
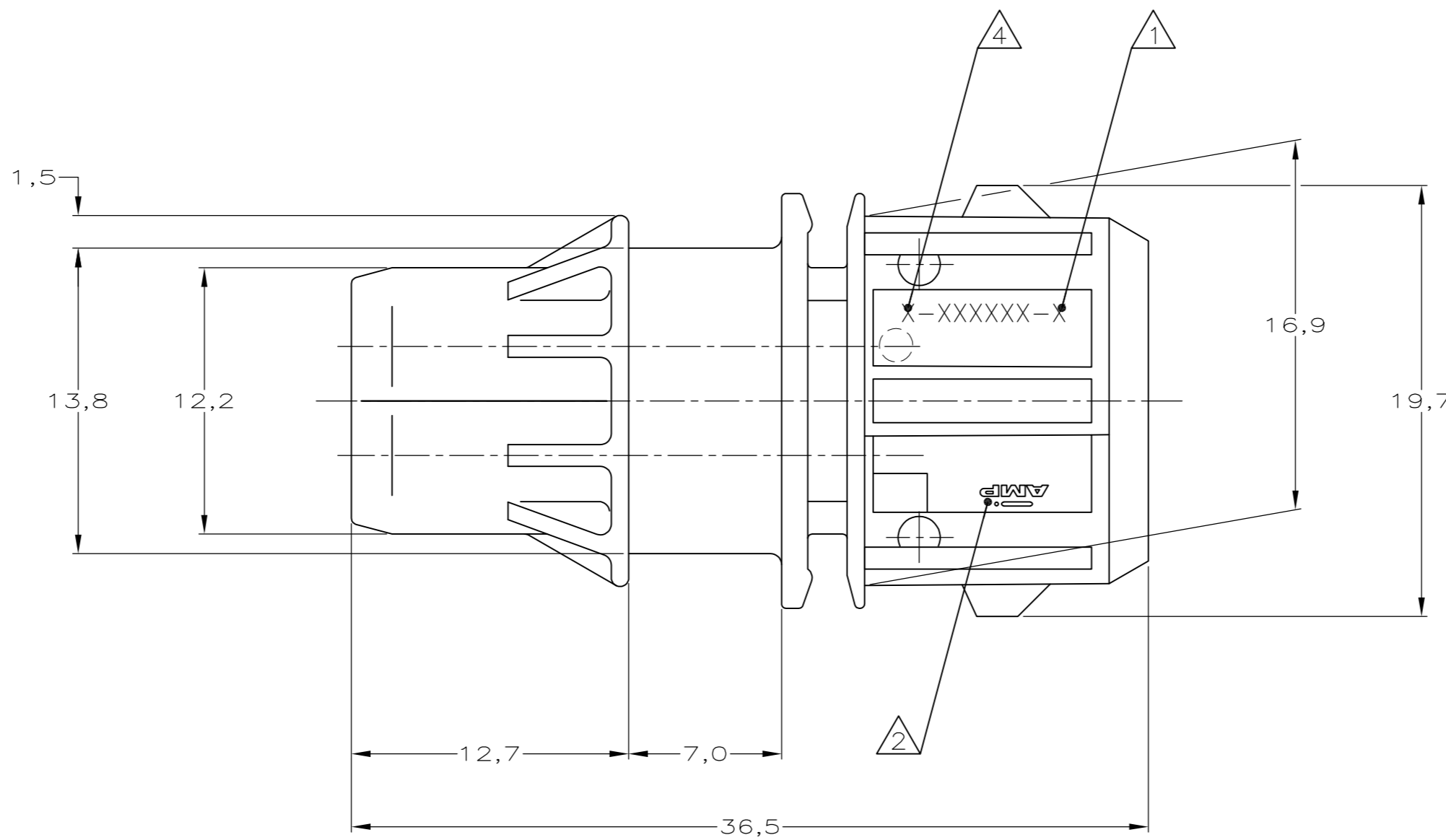
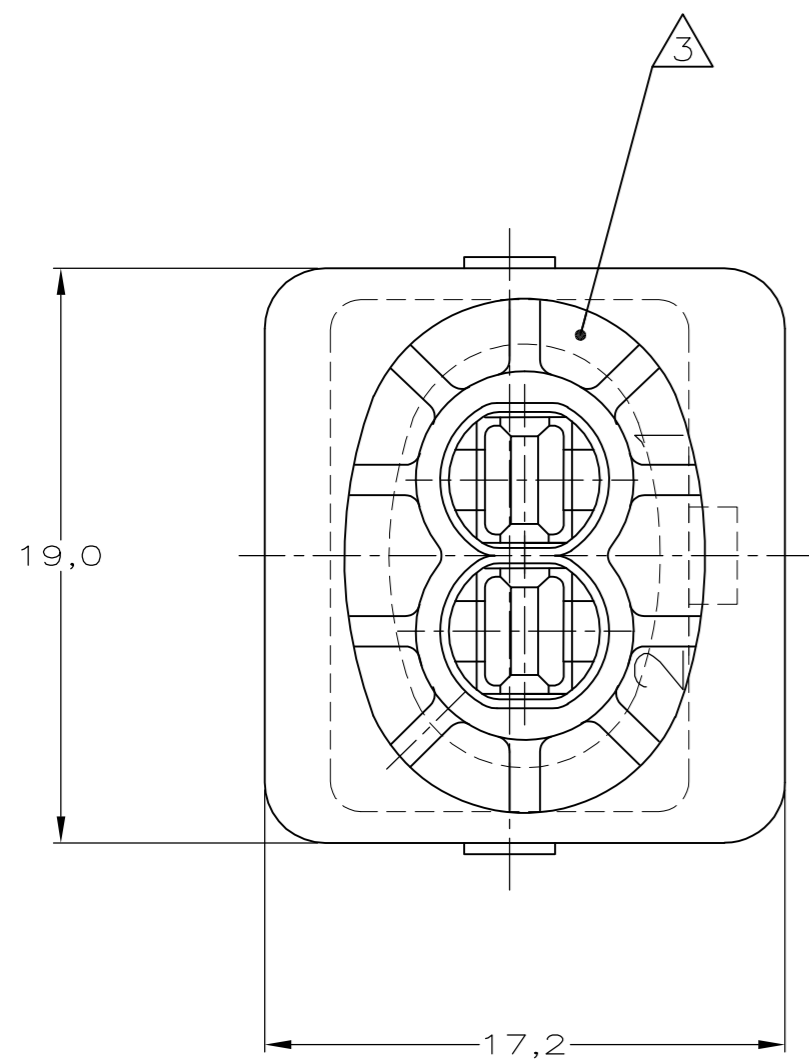
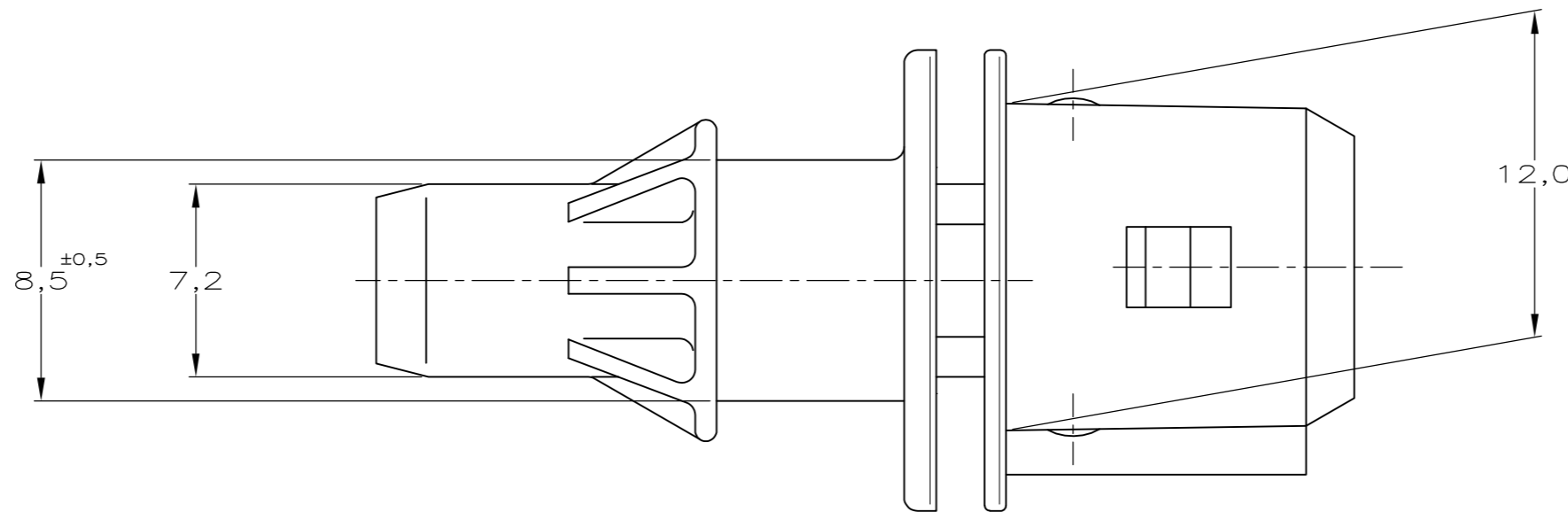
METRIC

LOC -
 DIST -

| REVISIONS | | DATE | DWN | APVD |
|-----------|-----|---------------------------|-----------|--------|
| P | LTR | DESCRIPTION | | |
| E1 | | REVISED PER ECO-11-005150 | 19MAR11 | RK HMR |
| E2 | | ECR-13-018496 | 02DEC2013 | VK BB |

NOTES:

- ▲ PARTNUMBER IDENTIFICATION.
- ▲ AMP TRADE MARK.
- ▲ CAVITY IDENTIFICATION.
- ▲ POCKET IDENTIFICATION.
- 5 FITS TO HOUSING JR TIMER 282189-1 AND 827551-1.



THIS DRAWING IS A CONTROLLED DOCUMENT.

| | |
|-------------|--|
| DIMENSIONS: | TOLERANCES UNLESS OTHERWISE SPECIFIED: |
| mm | ± 0.5 mm |
| 0 PLC | ± - |
| 1 PLC | ± - |
| 2 PLC | ± - |
| 3 PLC | ± - |
| 4 PLC | ± - |
| ANGLES | ± - |

MATERIAL - FINISH -
 WEIGHT -

| | |
|------------------|---------------------|
| DWN | - |
| CHK | D.KESSLER 5 SEP 00 |
| APVD | M. v DRIEL 5 SEP 00 |
| PRODUCT SPEC | - |
| APPLICATION SPEC | - |
| WEIGHT | - |
| CUSTOMER DRAWING | - |

| | | |
|---------------------------|--------------|---------------------|
| BLACK FINISH | PBT MATERIAL | 106462-1 PARTNUMBER |
| TE TE Connectivity | | |
| 2 POS. 2.8mm TAB HOUSING | | |
| SIZE | CAGE CODE | DRAWING NO |
| A2 | 00779 | C=106462 |
| RESTRICTED TO | SCALE | SHEET |
| - | - | 1 of 1 |
| REV | E2 | |

106462

A

Mouser Electronics

Authorized Distributor

Click to View Pricing, Inventory, Delivery & Lifecycle Information:

[TE Connectivity:](#)

[106462-1](#)