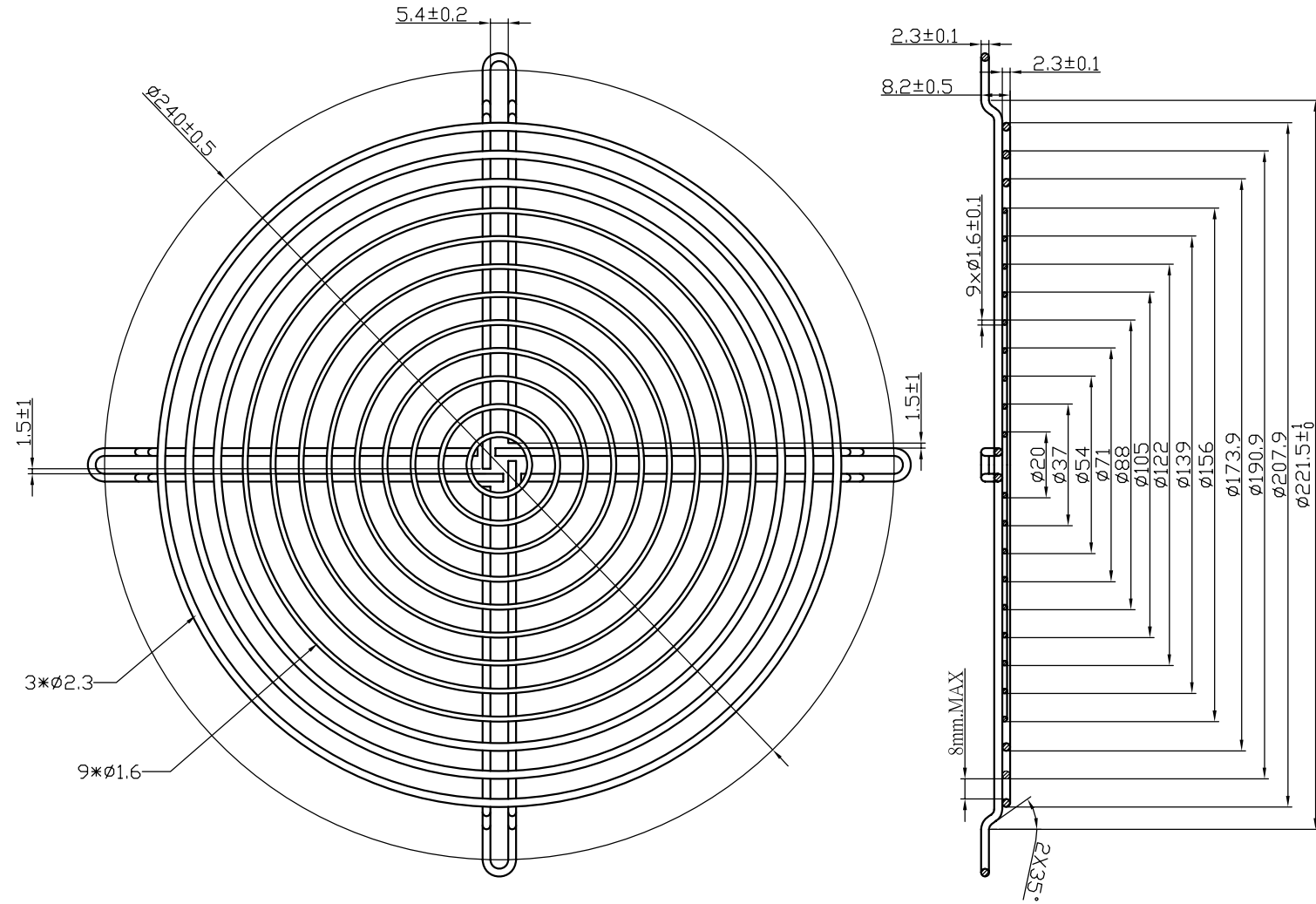
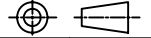


EDITION	DATE	REVISION RECORD	REVISION NO.	APPROVED



NOTES:

1. MATERIAL: C1008 BRIGHT BASIC WIRE.
2. FINISH: BRIGHT NICKEL CHROME.
3. (1) RINGS ARE 9* ϕ 1.6 \pm 0.1mm AND 3* ϕ 2.3 \pm 0.1mm.
(2) RIBS ARE ϕ 2.3 \pm 0.1mm.
4. WELD JOINTS TO WITHSTAND 88 LBS PULL FORCE.
5. GENERAL TOLERANCE UNLESS NOTED: \pm 0.5mm.
6. RoHS COMPLIANT.
6. UNIT: mm.

DO NOT SCALE DRAWING					CUSTOMER PART NO.	
DRAWN BY	CHECKED	APPROVED	SCALE	1/1	TME PART NO.	FG-24
			DRAWING DATE		MATERIAL	SEE NOTES
			2007. 7. 13		FINISH	SEE NOTES