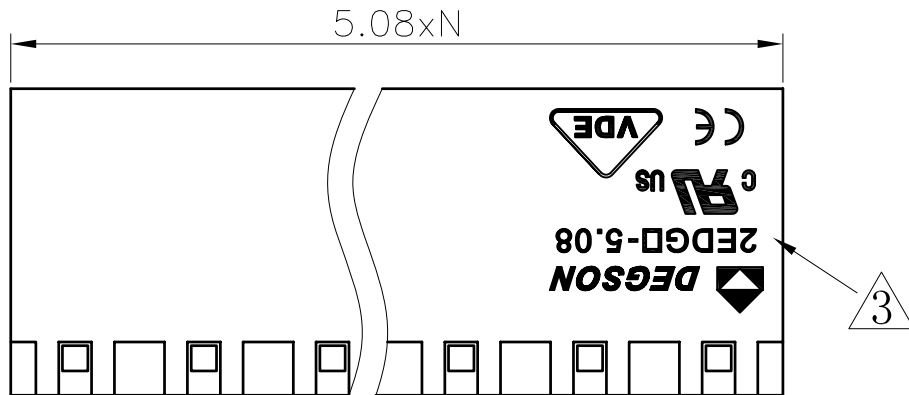
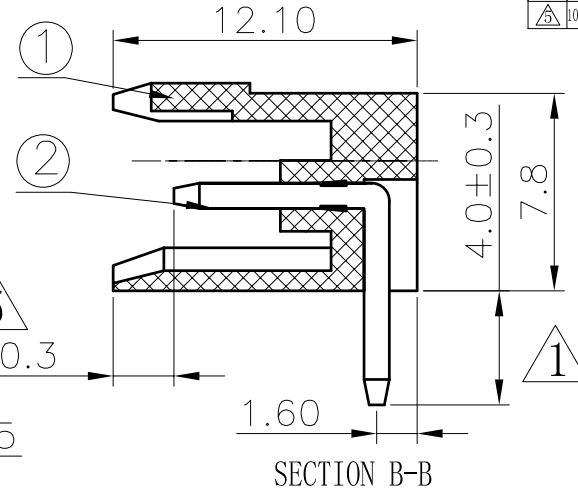
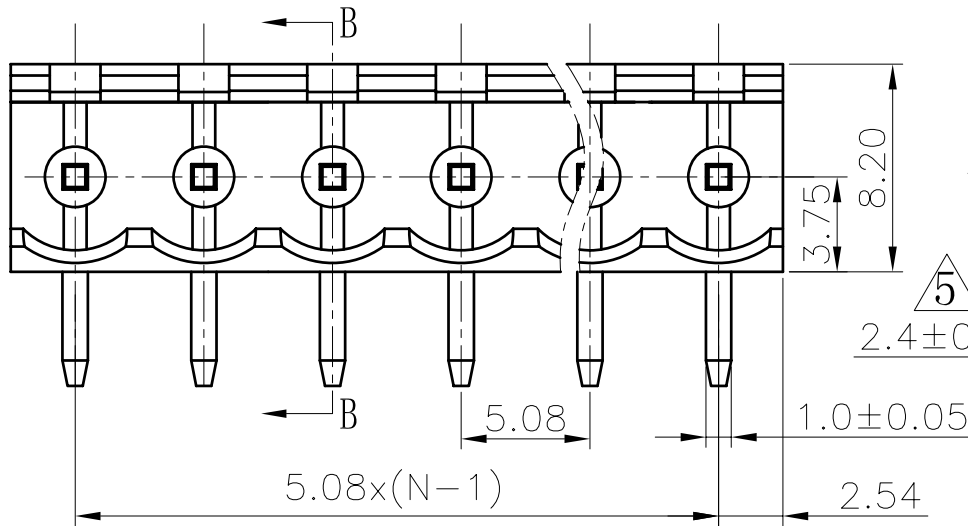


REVISION RECORD				
REV	ECO	DESCRIPTION	DRFT	DATE
△		4.5±0.1变更到4.0±0.3	DZJ	06/14/05
△		Drawing emend	CSX	04/17/06
△		增加刻字	YeJ	03/01/08
△		增加自动化方针	WLM	09/23/08
△	10-0329	增加标注尺寸	COCO	09/30/10



Notes:

- Pitch: 5.08mm, poles: 2-24p
- Rated voltage/current: UL 300V/15A  
VDE 320V/20A
- Operation temperatures: -40°C ~ +105°C
- Withstanding voltage: AC2000V/1Min
- Insulation resistance: 5000MΩ/DC1000V
- Undimensioned Tolerances:

Pitch range in mm		Nominal dimension range in mm						
to	over	to	to	to	to	to		
6	6	10	30	60	100	150	∩	
10	10	24	30	60	100	150	∇	
±0.10	±0.15	±0.25	±0.2	±0.3	±0.5	±0.7	±1.0	0.05/10

2	2EDGR-Pin header	△ 1008B00120 (H)	XX	Brass	Automatic assembly
2	2EDGR-Pin header	1008B00040 (H)	XX	Brass	Manual assembly
1	2EDGR-5.08-Housing	1008A0YXXA (H)	1	PA66	UL94V-0
ITEM	NAME OF PART	NO. OF PART	Q'TY	MATERIAL	NOTES

DETACHED LISTS	MM (INCH)	DFTO Haoyh	DATE 07/20/04	宁波高正电子有限公司 DEGSON ELECTRONICS CO., LTD
	TOLERANCES EXCEPT AS NOTED	CHKD	DATE	
		MFO	DATE	
		APPVL	DATE	
	MM			NAME <b>2EDGR-5.08-XXP-1Y-00A (H)</b> DRAWING NO. 2EDGR-5.08-E02 /PART NO. SIZE A3 REV T5 09/30/10
	.0 ±	±	MATERIAL : CHKD: FINISH : SCALE : 1:1	
	.00 ±	±		
	.000 ±	±		
	ANGLES ± 1'			DO NOT SCALE DRAWING
	THIRD ANGLE PROJECTION			SHEET 1 OF 1

由 Autodesk 教育版产品制作

由 Autodesk 教育版产品制作