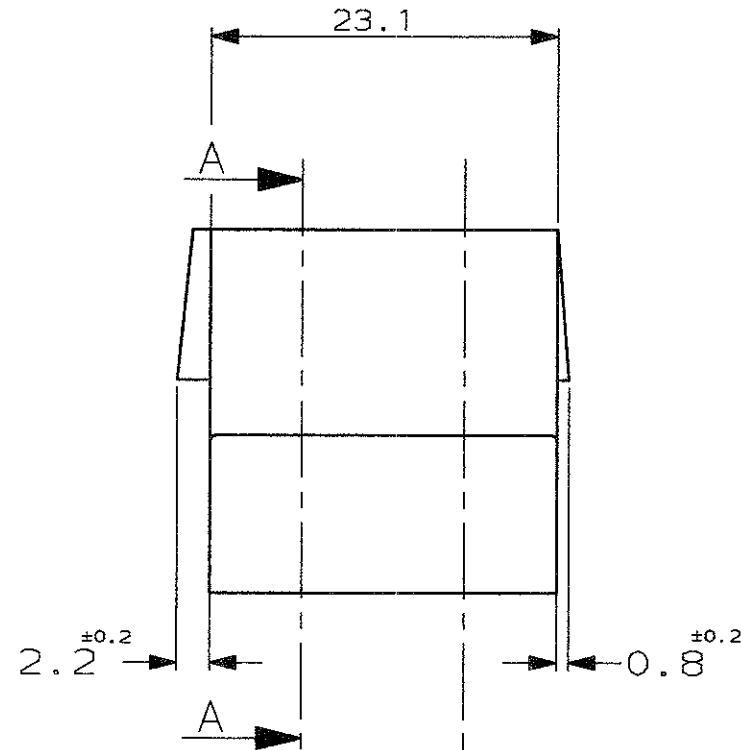
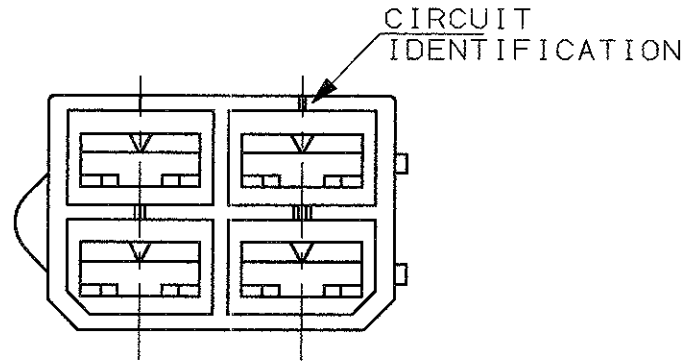


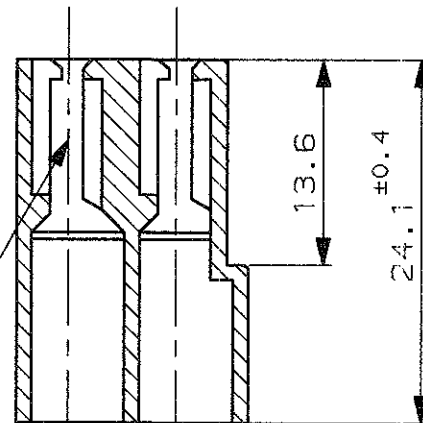
SCALA NON IMPEGNATIVA  
(DO NOT SCALE)  
DIMENSIONI IN mm  
(DIMENSIONS IN mm)

**METRIC**

PROIEZIONE EUROPEA  
(EUROPEAN PROJECTION)



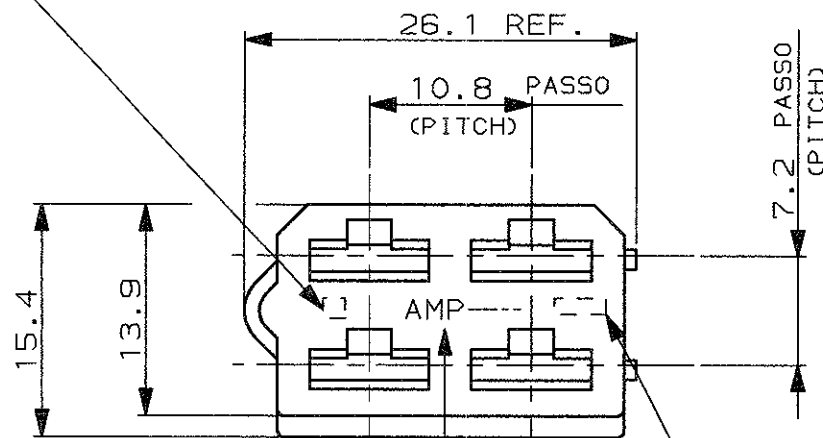
SEZIONE A-A  
(SECTION A-A)



TIPICA CAVITA' PER TERMINALE AMP  
FASTIN-FASTON SR. 6.35mm.  
(TYPICAL CAVITY FOR AMP  
FASTIN-FASTON .250 SR.)

- ① PRODOTTO SOLO PER AMP GIAPPONE.  
(RESTRICTED FOR AMP JAPAN).
- ② NON PRODOTTO DALL'AMP ITALIA.  
(NOT PRODUCED BY AMP ITALY).

NUMERO DI IMPRONTA STAMPO, FACOLTATIVO  
(MOULD CAVITY IDENTIFICATION NO., OPTIONAL)



MARCHIO DI FABBRICA  
(AMP TRADE MARK)

CODICE AMP, FACOLTATIVO  
(AMP PART NUMBER, OPTIONAL)

NOTE (NOTES)	COLORE (COLOUR)	MATERIALE (MATERIAL)	NUMERO (PART NUMBER)
①	NEUTRO (CLEAR)	PA 6.6 (PA 6.6 UNFILLED)	9-180900-0
②	NERO (BLACK)	PA 6.6 UL 94 V-0 (PA 6.6 F.R. 94 V-0)	5-180900-0
②	NERO (BLACK)	PA 6.6 (PA 6.6 UNFILLED)	4-180900-0
②	NERO (BLACK)		3-180900-0
②	ROSSO (RED)	PP	2-180900-0
②	NEUTRO (CLEAR)	ABS	1-180900-0
	GRIGIO (GRAY)	PA 6.6 (PA 6.6 UNFILLED)	180900-7
	NERO (BLACK)		180900-5
②	VERDE (GREEN)		180900-2
	ROSSO (RED)		180900-1
	NEUTRO (CLEAR)		180900-0

CUSTOMER DWG. FOR REFERENCE ONLY		DISEGNO PER CLIENTE SOLO PER RIFERIMENTO	
THIS DRAWING IS UNPUBLISHED.		RELEASE FOR PUBLICATION 19	
© COPYRIGHT 19 BY AMP INCORPORATED, HARRISBURG, PA. ALL INTERNATIONAL RIGHT RESERVED. AMP PRODUCTS MAY BE COVERED BY U.S. AND FOREIGN PATENT AND/OR PATENT PENDING			
TOLLERANZE; SE NON DIVERSAMENTE SPECIFICATO (TOLERANCES, UNLESS OTHERWISE SPECIFIED)	DIAM. ISOLANTE (INS. DIA. RANGE)	RANGO FILO (WIRE RANGE)	SCALA (SCALE)
±0.3			2:1
ANGOLI (ANGLES)	AMP ITALIA S.p.A. Corso F. LLI Cervi, 15 COLLEGNO (TORINO)		
	DIS. A. MORETTI (DR.) 1 FEB '80		DESCRIZIONE (DESCRIPTION) 4 WAY FASTIN-FASTON RECEPTACLE HOUSING .250 Sr.
AZ2 ADED VIEW ET00-0098-02	HY 20 SEP 2002	CONT. R. ROGGERO (CHK) 4 FEB '80	LOC. SIZE NUMERO (DWG NO)
AZ1 REVISED AND REDRAWN FOR ET00-0067-98	M.P. 11-3 C.T. '98		REV. FOGLIO (SHEET)
REV. (REVISION RECORD)	DIS. DATA (DR) (DATE)	APP. (APP.)	I A3 C-180900 AZ2 1 DI (OF) 1

DISTRIBUZIONE  
(PRINT DIST.)