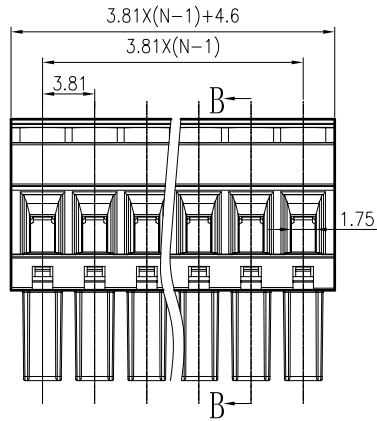
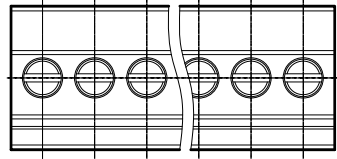
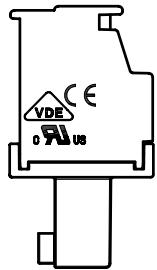


REVISION RECORD				
REV	ECO	DESCRIPTION	DRFT	DATE

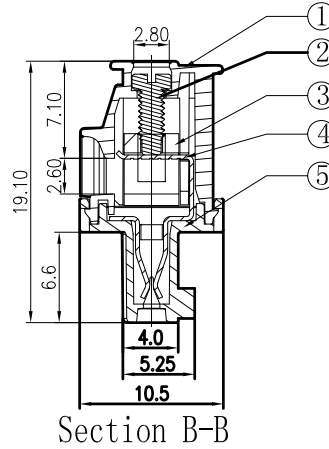
Notes:

1. Pitch:3.81mm , Poles:2-24P
2. Rated voltage/current:UL 300V/8A
VDE 250V/7A
3. Operation temperatures:-40°C~+105°C
4. Withstanding Voltage:AC2000V/1Min
5. Insulation Resistance:5000MΩ /DC1000V
6. Wire Range:28~16AWG, 0.5-1.5mm²
7. Max. Torque
Value:M2, 2.04kgf. cm(1.77Lb. in)
8. Undimensioned Tolerances:

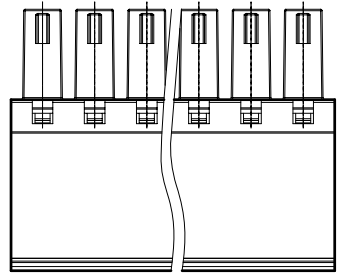
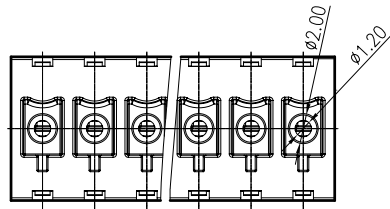
Pitch range in mm		Nominal dimension range in mm					—
to 6	over 6 to 10	over 10 to 24	over 30 to 60	over 60 to 100	over 100 to 150	over 150	
±0.10	±0.15	±0.25	±0.2	±0.3	±0.5	±0.7 ±1	
						0.05/10	



← C



C向



5	15EDGKA/B-3.81-100A-Cover	1041C0YXXE(H)	1	PA66	UL94V-0
4	15EDGKA/B-100A-Clamp	1033B00020(H)	XX	Phosphor bronze	SnCe
3	15EDGK Cage	X000000010(H)	XX	Brass	Ni Plated
2	15EDG Screw-M2.0	S000001360(H)	XX	Steel	Cr ³⁺ Zn
1	15EDGKA/B-3.81-100A-Housing	1041A0YXXE(H)	1	PA66	UL94V-0
ITEM	NAME OF PART	NO. OF PART	Q'TY	MATERIAL	NOTES

DETACHED LISTS	MM (INCH)	DFTO Apple	DATE 04/11/09*	宁波高正电子有限公司 DEGSON ELECTRONICS CO., LTD			
	TOLERANCES EXCEPT AS NOTED	CHKD	DATE			NAME 15EDGKB-3.81-XXP-1Y-100A(H)	
	MM	MFO	DATE				
	.0 ±	APPVL	DATE	MATERIAL :	DRAWING NO. 15EDGKB-3.81-E100	SIZE A3	REV TO 09/10/10*
	.00 ±	G.E :		FINISH :	/PART NO.	DO NOT SCALE DRAWING	
.000 ±	ANGLES ± 1'		SCALE : 1:1	SHEET 1 OF 1			
THIRD ANGLE PROJECTION							