

# Attention

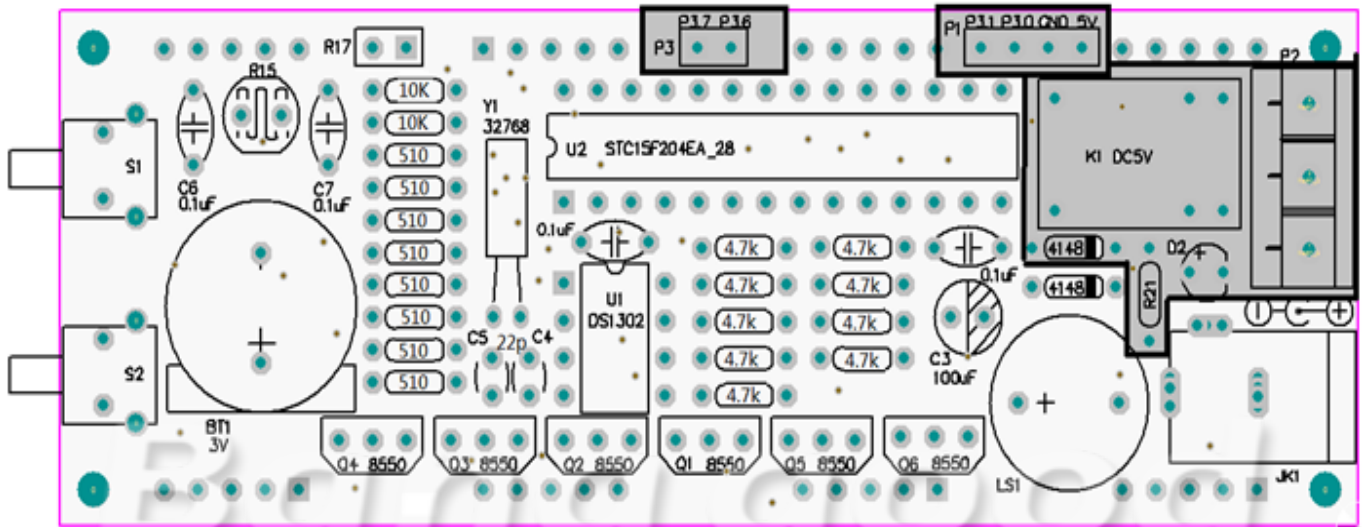
Please install the element which is on the back first. Ensure no error then installation the digital tube!

## 1. Digital clock backside component installation diagram.

Please install short component first, and then install high components.

After installation, please particular attention to ensure there is no error installation

IC direction can not be reversed.

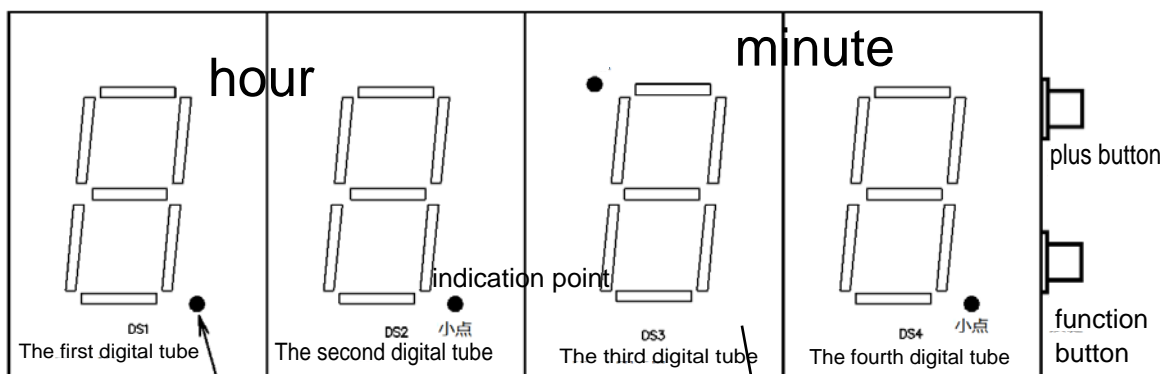


Note: The shaded areas on the map is an extended part, no need to install components. )

Regardless of the positive and negative components: resistors, light-sensitive resistors, thermistors, ceramic capacitors (12p), monolithic capacitors (1uF), Crystal Has positive and negative elements: electrolytic capacitors (C3-10uF), 1N4148, battery holder, light-emitting diodes

Thermistor and 1N4148 shape is very similar, please do not mistake. No character and no circle is the thermistor.

## 2. Install digital tube. The third digital tube must be installed backwards.



A small point on the circuit board  
a small point on the corresponding digital tube

Reverse installation

## 3. Finally plug in the IC and the battery, power it. Press the add button while pressing the function key, reset the circuit.

4. After the installation is complete, need to reset the circuit to make it work properly, as follows:

Method 1, first press and hold the plus button and function keys, power the circuit, release the button.

At this time show 7:59, indicating successful reset, 5 seconds later show 8:00. Meanwhile buzzer 1 minute, press plus key can cancel the sound.

Method 2, power, press and hold the plus button, at the same time press and hold the function button, release. At this time show 7:59, indicating successful reset, 5 seconds later show 8:00. Meanwhile buzzer 1 minute, press plus key can cancel the sound.

5,  
 Set hour: Click the function keys (hour digital tube and two points flashing), press the plus button to modify;  
 Set minute: Press the function key (minute digital tube and two points flashing), press the plus button to modify;  
 Set alarm hour: Press the function key (hour digital tube flashing, two points are not blinking), press the plus button to modify the alarm hour;  
 Set alarm minute: Press the function key (minute digital tube flashing, two points are not blinking), press the plus button to modify the alarm minute;  
 Set the alarm to ON/OFF: Press the function key (hour, minute and two points does not move), press the plus button, indicator point lights (Alarm On), indicating point off (alarm off);  
 Set NowTime: Press the function key (hour tube blinking, two points not blinking), press the plus button to modify the start time (if adjusted to 8, means beginning at 8:00 am); then Press the function key again (minute tube is blinking two points not blinking), press the plus button to modify the end of the alarm time (if adjusted to 22, that is, 8:00 am to 22:00 pm has the NowTime, does not affect sleep); press the function key to exit. Set finish.

6, Will displayed temperature for 3 seconds every 30 seconds. When dark at night, tube will become dim automatic, and in a strong light digital tube lights again.

7. The operation video link (chinese): <http://pan.baidu.com/s/1dDBtGfJ> password: 4rlo

8. schematic circuit diagram:

