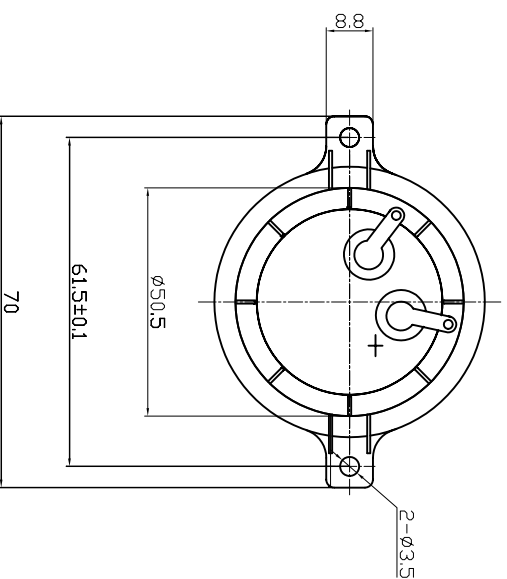
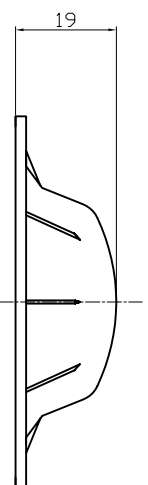


# SPECIFICATION

1. Rated Voltage .....10Vp-p
2. Max. Rated Input Voltage .....30Vp-p
3. Rated Frequency Range .....2.5-60KHz
4. Rated Sensitivity .....92±3dB/w.10cm
5. Resonant Frequency .....22±3KHz
6. Case Material .....PBT
7. Operating Temperature .....-20~+70 °C
8. Store Temperature .....-30~+80 °C
9. Weight .....10g



No.	DESCRIPTION	APPROVED	DATE	<b>KEPO</b> NINGBO KEEP IMPROVING ELECTRONIC CO.,LTD <a href="http://www.chinaacoustic.com">http://www.chinaacoustic.com</a>		
TOLERANCES: UNLESS NOTED OTHERWISE: mm ± xxx ± 90° ANGLES ±°	APPROVALS	DATE				
	DRAWN	CHECKED		UNIT	DWG NO.	KP3.840.510
	APPROVED			SCALE	NOT TO SCALE	SHEET
			03.05.05			VER 1.0

A	1	2	3	4	5	6	7	8
A	<div style="display: flex; justify-content: space-around;"> <div style="width: 45%;"> </div> <div style="width: 45%;"> </div> </div>							
B								
C								
D								
E								
F								