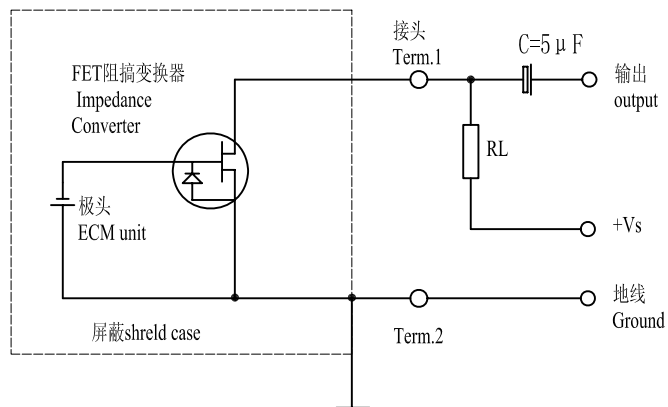


原理图



| 编号<br>NO.   | 项目<br>Items                     | 规格<br>Specifications  |
|-------------|---------------------------------|---|
| 1           | 额定电压<br>Rated Voltage           | 4.5V  |
| 2           | 工作电压<br>Operating Voltage       | 1.5V~10V  |
| 3           | 灵敏度<br>Sensitivity              | -38 ± 2dB at 1KHz(0dB=1V/μ Pa)<br>-58 ± 2dB at 1KHz(0dB=1V/μ bar) |
| 4           | 消耗电流<br>Current Consumption     | 0.5mA Max   |
| 5           | 频率范围<br>Frequency               | 100~16,000Hz  |
| 6           | 信噪比<br>S/N Ratio                | ≥60dB   |
| 7           | 灵敏度减低<br>Sensitivity Reduction  | within-3dB at 1.5V  |
| 8           | 方向性<br>Directivity              | Omnidirectional   |
| 9           | 测试条件<br>Testing Condition       | 1000Hz, Vs=4.5V, RL=2.2K Ω  |
| 10          | 壳体材料/颜色<br>Shell Material/Color | AL/Silver   |
| 11          | 工作温度<br>Operating Temperature   | -25~+55 °C  |
| 12          | 贮存温度<br>Store Temperature       | -25~+55 °C  |
| 13          | 重量<br>Weight                    | 0.9g  |
| 备注<br>Note: |                                 |   |

|  |                  |                                |  |     |       |
|--|------------------|--------------------------------|--|-----|-------|
| TOLERANCES UNLESS NOTED OTHERWISE<br>.X ±<br>.XX ±<br>.XXX ±<br>90° FORMED +2°<br>ANGLES -1° | DRAWN            | KEPO MODEL NO.<br>KPCM-97H67-1 | CUSTOMER   |     |       |
|  | DESIGN           |                                | CUSTOMER NO.                                     |     |       |
|  | CHECKED          | DWG NO.<br>KF3.002.001         | VER  | 1.0 | SCALE |
|  | APPROVED         |                                | UNIT   | mm  | SHEET |
|  | DATE<br>05.10.19 | CONTRACT NO.                   | AGENCY APPROVAL                                  |     |       |
| FIRST ANGLE PROJECTION   | KEPO CO.,LTD.    |                                | TEL: (+86)574-88370330<br>FAX: (+86)574-88370329 |     |       |

|     |      |          |               |
|-----|------|----------|---------------|
| △   |      |          |               |
| △   |      |          |               |
| △   |      |          |               |
| △   |      |          |               |
| NO. | DATE | REVISION | REFERENCE DWG |