

PLED-xxxLF



LED-SERIES

Rev.11-2008

- ✓ HIGH POWER LED DRIVER
- ✓ STEP-DOWN CONVERTER
- ✓ CONSTANT CURRENT
- ✓ HIGH EFFICIENCY
- ✓ DIMMING FUNCTION
- ✓ REMOTE CONTROL

All specifications typical at $T_a=25^\circ\text{C}$, nominal input voltage and full load unless otherwise specified

Input Specifications

Voltage Range	5 – 36 VDC wide input (24V Recommended)
---------------	---

Output Specifications

Output Voltage	2 – 32 VDC
Output Current	See table ($\pm 2\%$ Accuracy)
Short Circuit Protection	Reg. at Rated Output Current
Open Protection	No Load
Ripple and Noise	120 mV p-p, max.

General Specifications

Efficiency	See table, typ.
Operating Frequency	260 kHz
Capacitive Load	100 μF , max.
Humidity	95% rel H

Physical Specifications

Case Material	Black Plastic (with Non Conductive Base)
Potting Material	Epoxy (UL94V-0 rated)
Weight	~ 10g, typ.

Environment Specifications

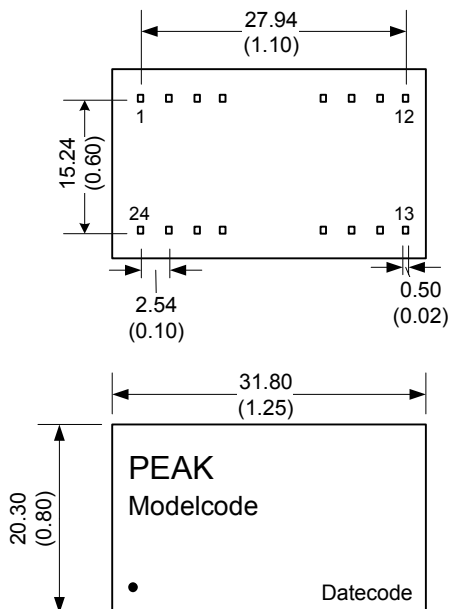
Operating Temperature	-40 to +85 $^\circ\text{C}$ (Free Air Convection)
Maximum Case Temperature	100 $^\circ\text{C}$
Storage Temperature	-40 to +125 $^\circ\text{C}$
Cooling	Free Air Convection
RoHS conform	Soldering 260 $^\circ\text{C}$, 10sec. max.

Selection Guide

Order #	Input Voltage (Vdc)	Output Voltage (VDC)	Output Current (mA)	Efficiency (%)
PLED-300LF	5-36	2-32	300	96
PLED-350LF	5-36	2-32	350	96
PLED-500LF	5-36	2-32	500	96
PLED-600LF	5-36	2-32	600	96
PLED-700LF	5-36	2-32	700	96

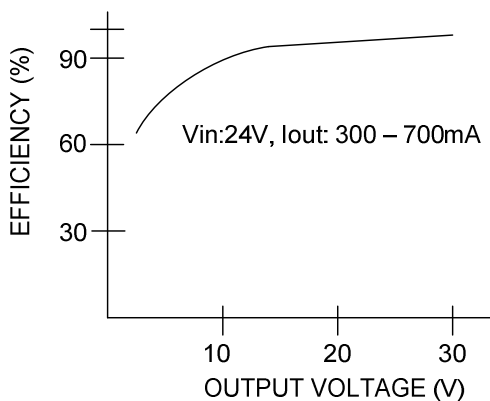
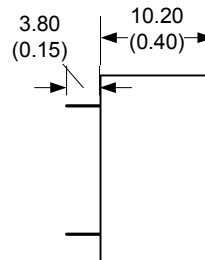
If you need other specifications, please ask.

Package / Pinning / Derating



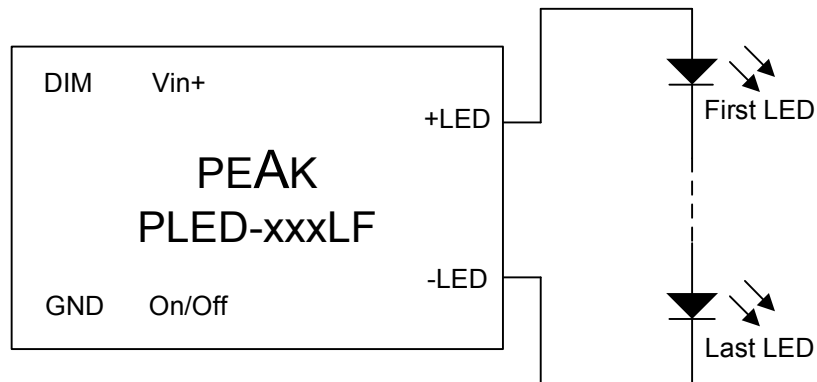
All dimensions are typical in millimeters (inches).
 - Pin diameter: 1.0 +/-0.05 (0.04 +/-0.002)
 - Pin pitch tolerance: +/-0.35 (+/-0.014)
 - Case tolerance +/-0.5 (+/-0.02)
 Specification may change without notice.

DIP24 – PLASTIC CASE



PIN CONNECTIONS	
#	SINGLE
1	Ctrl.
2	+ Vin
3	- Vin
9	N.C.
11	N.C.
14	LED +
16	LED -
23	+ Vin
24	DIM
Others	Omitted

App Notes



REMOTE ON/OFF:

DC ON: Open or $0V < V_r < 0.6V$
DC OFF: $0.6V < V_r < 5V$ (1mA, max.)

DIMMING CONTROL:

Max PWM Frequency (10% - 90%) 200Hz
Analog Voltage (0% - 100%)
PLED 300, 350, 500: 0 – 4.5V (1mA, max.)
PLED 600, 700 0 – 6.5V (1mA, max.)