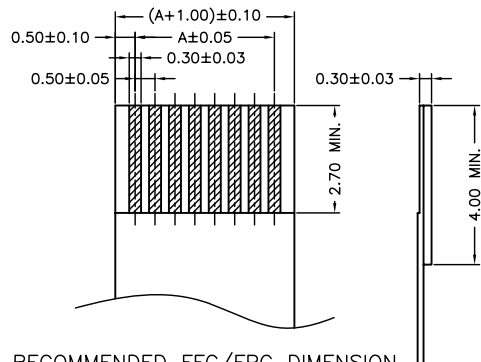
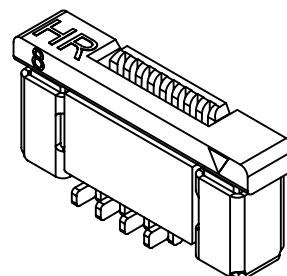


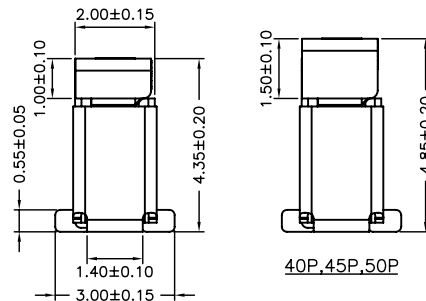
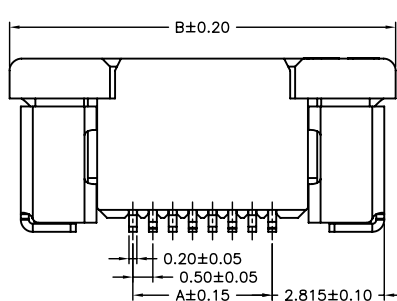
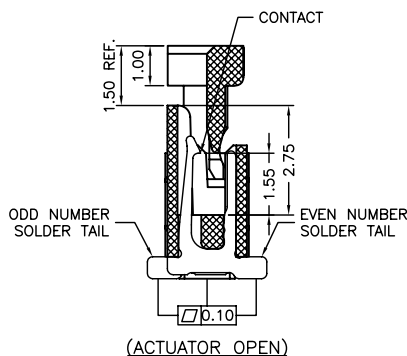
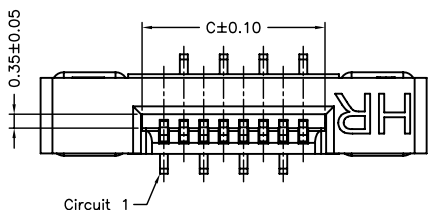
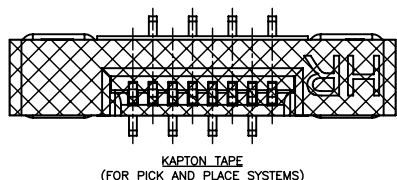
SUGGESTED PCB LAYOUT  
(COMPONENT SIDE)



RECOMMENDED FFC/FPC DIMENSION



**SPECIFICATIONS**  
 Current Rating: 0.5A AC,DC  
 Voltage Rating: 50V AC,DC  
 Temperature Range: -25°C ~ +85°C  
 Contact Resistance: 30mΩ Max.  
 Insulation Resistance: 100MΩ Min.  
 Withstanding Voltage: 250V AC/minute  
 Contacts: Phosphor Bronze/Gold-flash 1u"  
 Solder Tabs: Brass/Gold-flash 1u"  
 Housing: Nylon 6T,UL94V-0,Natural(Beige)  
 Actuator: Nylon 6T,UL94V-0,Natural(Black)



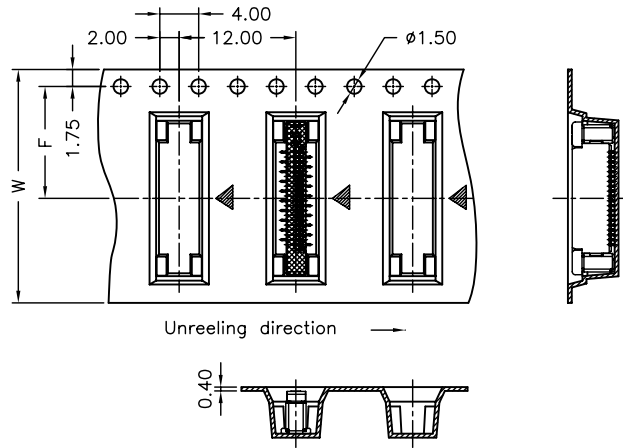
Ordering Information & Dimensions

PART NO.	Dimensions			PART NO.	Dimensions		
	A	B	C		A	B	C
F0500WV-S-04P	1.50	7.70	2.60	F0500WV-S-25P	12.00	18.20	13.10
F0500WV-S-05P	2.00	8.20	3.10	F0500WV-S-26P	12.50	18.70	13.60
F0500WV-S-06P	2.50	8.70	3.60	F0500WV-S-27P	13.00	19.20	14.10
F0500WV-S-07P	3.00	9.20	4.10	F0500WV-S-28P	13.50	19.70	14.60
F0500WV-S-08P	3.50	9.70	4.60	F0500WV-S-29P	14.00	20.20	15.10
F0500WV-S-09P	4.00	10.20	5.10	F0500WV-S-30P	14.50	20.70	15.60
F0500WV-S-10P	4.50	10.70	5.60	F0500WV-S-31P	15.00	21.20	16.10
F0500WV-S-11P	5.00	11.20	6.10	F0500WV-S-32P	15.50	21.70	16.60
F0500WV-S-12P	5.50	11.70	6.60	F0500WV-S-33P	16.00	22.20	17.10
F0500WV-S-13P	6.00	12.20	7.10	F0500WV-S-34P	16.50	22.70	17.60
F0500WV-S-14P	6.50	12.70	7.60	F0500WV-S-35P	17.00	23.20	18.10
F0500WV-S-15P	7.00	13.20	8.10	F0500WV-S-36P	17.50	23.70	18.60
F0500WV-S-16P	7.50	13.70	8.60	F0500WV-S-37P	18.00	24.20	19.10
F0500WV-S-17P	8.00	14.20	9.10	F0500WV-S-38P	18.50	24.70	19.60
F0500WV-S-18P	8.50	14.70	9.60	F0500WV-S-39P	19.00	25.20	20.10
F0500WV-S-19P	9.00	15.20	10.10	F0500WV-S-40P	19.50	25.70	20.60
F0500WV-S-20P	9.50	15.70	10.60	F0500WV-S-45P	22.00	28.20	23.10
F0500WV-S-21P	10.00	16.20	11.10	F0500WV-S-49P	24.00	30.20	25.10
F0500WV-S-22P	10.50	16.70	11.60	F0500WV-S-50P	24.50	30.70	25.60
F0500WV-S-23P	11.00	17.20	12.10	F0500WV-S-51P	25.00	31.20	26.10
F0500WV-S-24P	11.50	17.70	12.60				

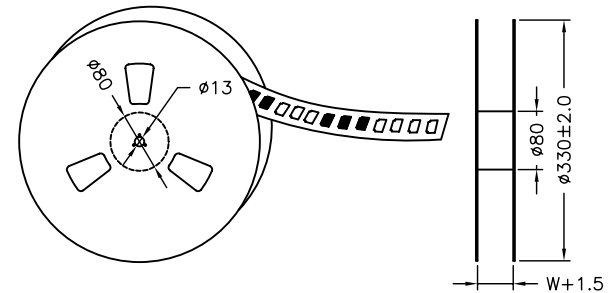
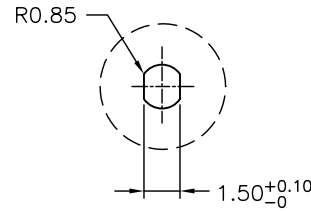
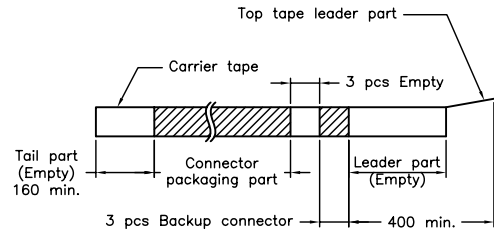
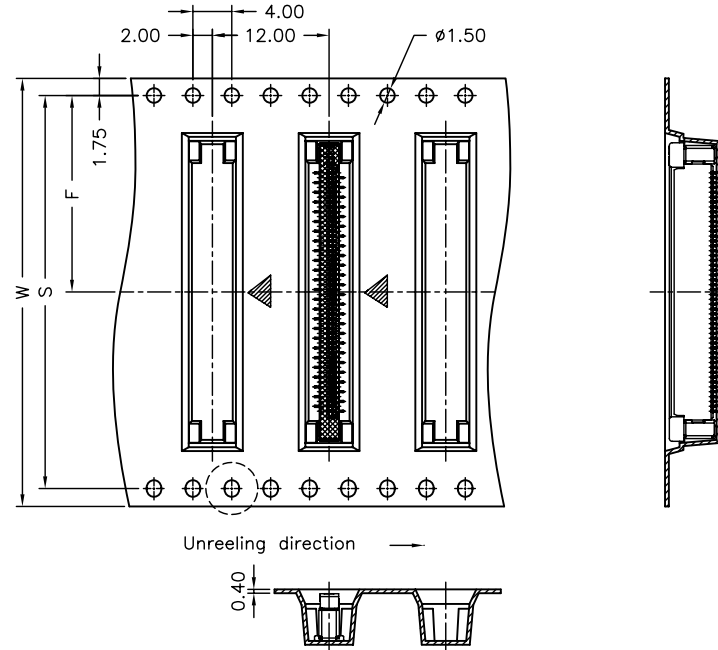
				JOINT TECH ELECTRONIC IND. CO., LTD. JOY DAY INDUSTRIAL CO., LTD.	
		UNIT	SCALE	SHEET	TITLE:
		mm		1 of 2	
		DRAWN BY		APPROVED BY	
		董正一		董正一	
		2002.07.18		2002.07.18	
		GENERAL TOLERANCE			
		X. X±0.25		ANGLE±	
		X. XX±0.15		DRAW NO. : F0500WV-S-XP	
		X. XXX±0.05			

0.50mm PITCH  
FFC/FPC CONNECTOR  
180°SMT TYPE, ZIF

### 04~21 Contacts



### 22~51 Contacts



Number of Contacts	W±0.3	F±0.1	S±0.1	Q'ty/Reel	Number of Contacts	W±0.3	F±0.1	S±0.1	Q'ty/Reel
04P	16	7.50		1,000	25P	32	14.20	28.40	1,000
05P	24	11.50		1,000	26P	32	14.20	28.40	1,000
06P	24	11.50		1,000	27P	32	14.20	28.40	1,000
07P	24	11.50		1,000	28P	32	14.20	28.40	1,000
08P	24	11.50		1,000	29P	32	14.20	28.40	1,000
09P	24	11.50		1,000	30P	32	14.20	28.40	1,000
10P	24	11.50		1,000	31P	32	14.20	28.40	1,000
11P	24	11.50		1,000	32P	32	14.20	28.40	1,000
12P	24	11.50		1,000	33P	44	20.20	40.40	1,000
13P	24	11.50		1,000	34P	44	20.20	40.40	1,000
14P	24	11.50		1,000	35P	44	20.20	40.40	1,000
15P	24	11.50		1,000	36P	44	20.20	40.40	1,000
16P	24	11.50		1,000	37P	44	20.20	40.40	1,000
17P	24	11.50		1,000	38P	44	20.20	40.40	1,000
18P	24	11.50		1,000	39P	44	20.20	40.40	1,000
19P	24	11.50		1,000	40P	44	20.20	40.40	1,000
20P	24	11.50		1,000	45P	44	20.20	40.40	1,000
21P	24	11.50		1,000	49P	44	20.20	40.40	1,000
22P	32	14.20	28.40	1,000	50P	44	20.20	40.40	1,000
23P	32	14.20	28.40	1,000	51P	44	20.20	40.40	1,000
24P	32	14.20	28.40	1,000					

				UNIT	SCALE	SHEET	TITLE:	
				mm		2 of 2		
DRAWN BY		APPROVED BY		0.50mm PITCH FFC/FPC CONNECTOR 180° SMT TYPE, ZIF, TAPING SPEC.				
董正一		董正一						
2002.07.18		2002.07.18						
GENERAL TOLERANCE				DRAW NO. :				
B2	EN0912010589	2009.12.01		F0500WV-S-XP				REV. B2
B1	REVISE	2007.08.02	X.X±0.25	ANGLE±				
B0	NEW RELEASE	2005.11.19	X.XX±0.15					
REV.	DESCRIPTION	DATE	X.XXX±0.05					