

DC BRUSHLESS FAN 60x60x20MM

直流風機 60x60x20MM

Version: 2010-8-26

General Description

- 1、 Plastic material
- 2、 Standard install structure
- 3、 High speed with high powerful wind pressure
- 4、 Specail structure with long life time

簡要描述

- 1、 全塑膠外殼
- 2、 標準安裝孔設計
- 3、 高轉速、大風壓
- 4、 高穩定性、長壽命設計



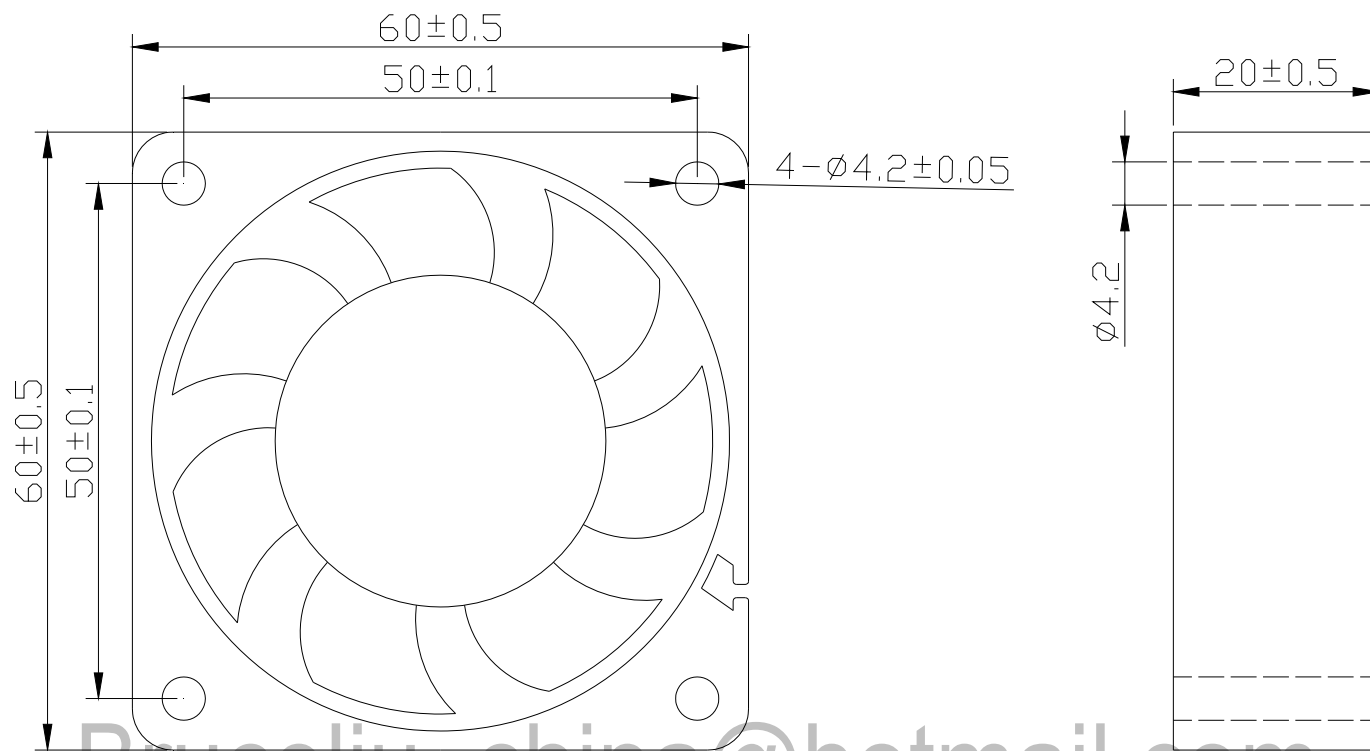
MODEL	YY6020XYZ
X(SPEED RANGE)	L & M & H & HH
Y(RATED VOLTAGE)	5V & 12V & 24V & 48V
Z(S) MEANS	SLEEVE BEARING
Z(B) MEANS	BALL BEARING
PLASTIC MATERIAL	PBT
MAX SPEED	5500 rpm
MAX CFM	25 CFM
BEARING	Sleeve or ball
LIFE TIME	25000hrs. or 50000 hrs.
FUNCTION	FG/RD/PWM/Temperature P
STRUCTURE	AXIAL
PACKING WAY	carton
QUANTITY/packing	
PACKING SIZE	
G.W. of one packing	
CERTIFICAT	CE & ROHS
OQC STANDARD	



DC BRUSHLESS FAN 60x60x20MM

直流風機 60x60x20MM

Version: 2010-8-26

YY6020XYZ


DIMENSIONS DRAWING

SPESIFICATION

Model	Voltage	Current	Speed	Air Flow		Air Pressure		Noise	Function			RESTART
				M ³ /hour	CFM	mmH2O	In H2O		FG	RD	PWM	
YY6020L5S(B)	5	0.2	3500	25.2	14.83	3.83	0.151	26	F/R/P/TEM			X/√
YY6020L12S(B)	12	0.1	3500	25.2	14.83	3.83	0.151	26	F/R/P/TEM			X/√
YY6020M12S(B)	12	0.15	4500	31.2	18.36	5.81	0.229	31	F/R/P/TEM			X/√
YY6020H12S(B)	12	0.17	5000	33.6	19.78	7	0.275	33	F/R/P/TEM			X/√
YY6020L24S(B)	24	0.06	3500	25.2	14.83	3.83	0.151	26	F/R			X/√
YY6020M24S(B)	24	0.09	4500	31.2	18.36	5.81	0.229	31	F/R			X/√
YY6020H24S(B)	24	0.11	5000	33.6	19.78	7	0.275	33	F/R			X/√
YY6020L48S(B)	48	-										
YY6020M48S(B)	48	-										
YY6020H48S(B)	48	-										

Waterproof DC BRUSHLESS FAN

MODEL	IP LEVEL	REMARK
YY6020XYB-***W5	IP65	X=L&M&H&HH,Y=12V&24V&48V***=FG&RD&PWM&TEMPRETURE PROTECT
YY6020XYB-***W8	IP68	X=L&M&H&HH,Y=12V&24V&48V***=FG&RD&PWM&TEMPRETURE PROTECT