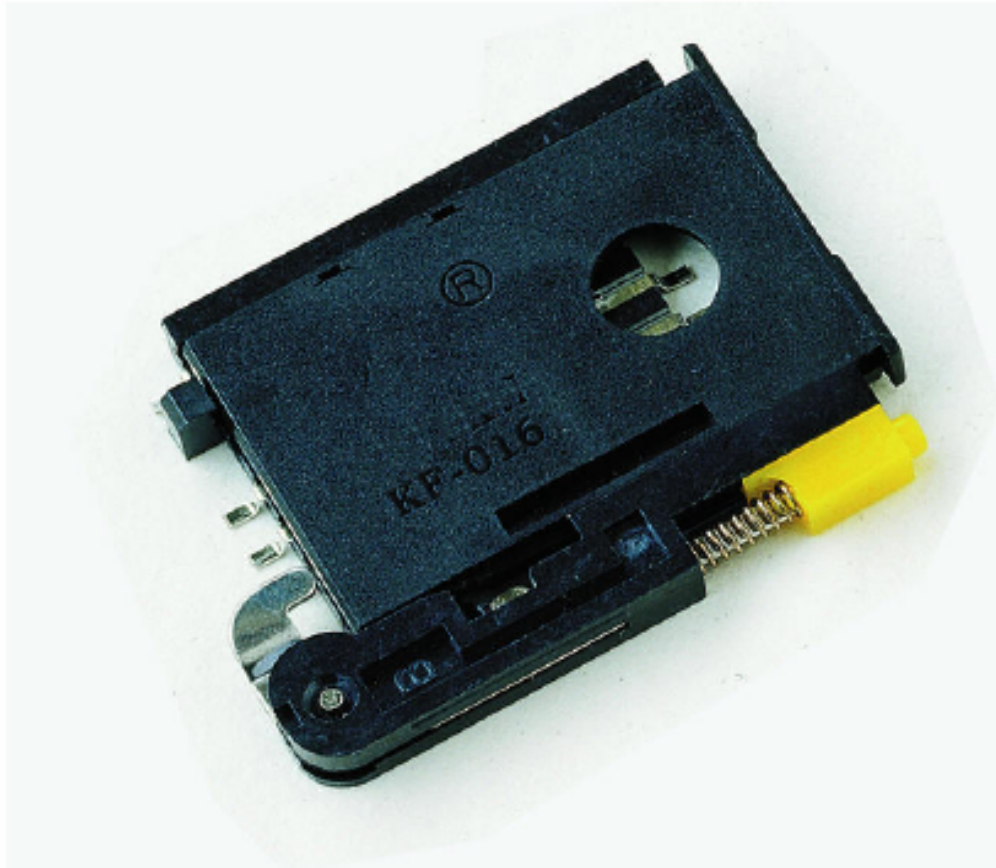


SIM Socket Manual



Model: KF-016

DRAWER TYPE (MEC1089D001/MEC1089D002)

1. Characteristics and application

Characteristics:

- Match ISO7816-2 ;
- Match GSM11.11;
- Drawer type, take the switch, get in touch with effective, the physical volume is small, installing the convenience;

Explanation:

- 1). Can according to customer the request produces 6 pin or 8 pin; (in addition to switch)
- 2). Operation is simple , when inserting card, put into SIM card in SIM drawer , and face contact surface , the direction of circuit board push gently into card seat; return card , press SIM card the yellow of side return card,, SIM card will automatic quit outward along lead groove.

Application:

- Control terminal
- The intelligence supervises and control the terminal
- Lead-in data correspondence system
- Concentrates to copy the form system
- Telecommunication.
- The other intelligence identifies the system.

2. Technical property

2.1 General function:

Name	Standard	Description
Shape size		31*25*3
Weight		5.2g
Contact way		Press the connect type
Life span		>10000cycles

2.2 Electricity function: according to IEC512

Name	Standard	Description
2.2.1 Copper flat contact		
Contact number		6pin or 8pin
contact resistance	IEC512-2-2a	≤60mΩ
insulation resistance	IEC512-2-3a	>1000MΩ/500Vdc
specified voltage and specified current		5V
between contact		1A max, 10μAmin.
fight electrical strength	IEC512-2-4a	>500V AC a minute of fly without breakdown arc phenomenon

2.3 Machine function :

Name	Standard	Description
Contact pressure		0.2N~0.6N
contact location	ISO 7816-2	
copper flat		
Material		65-0.4Y-0.15
Electroplate		Plate with gold 15u ^o
insulating material		Thermoplastic plastics

2.4 Soldering :

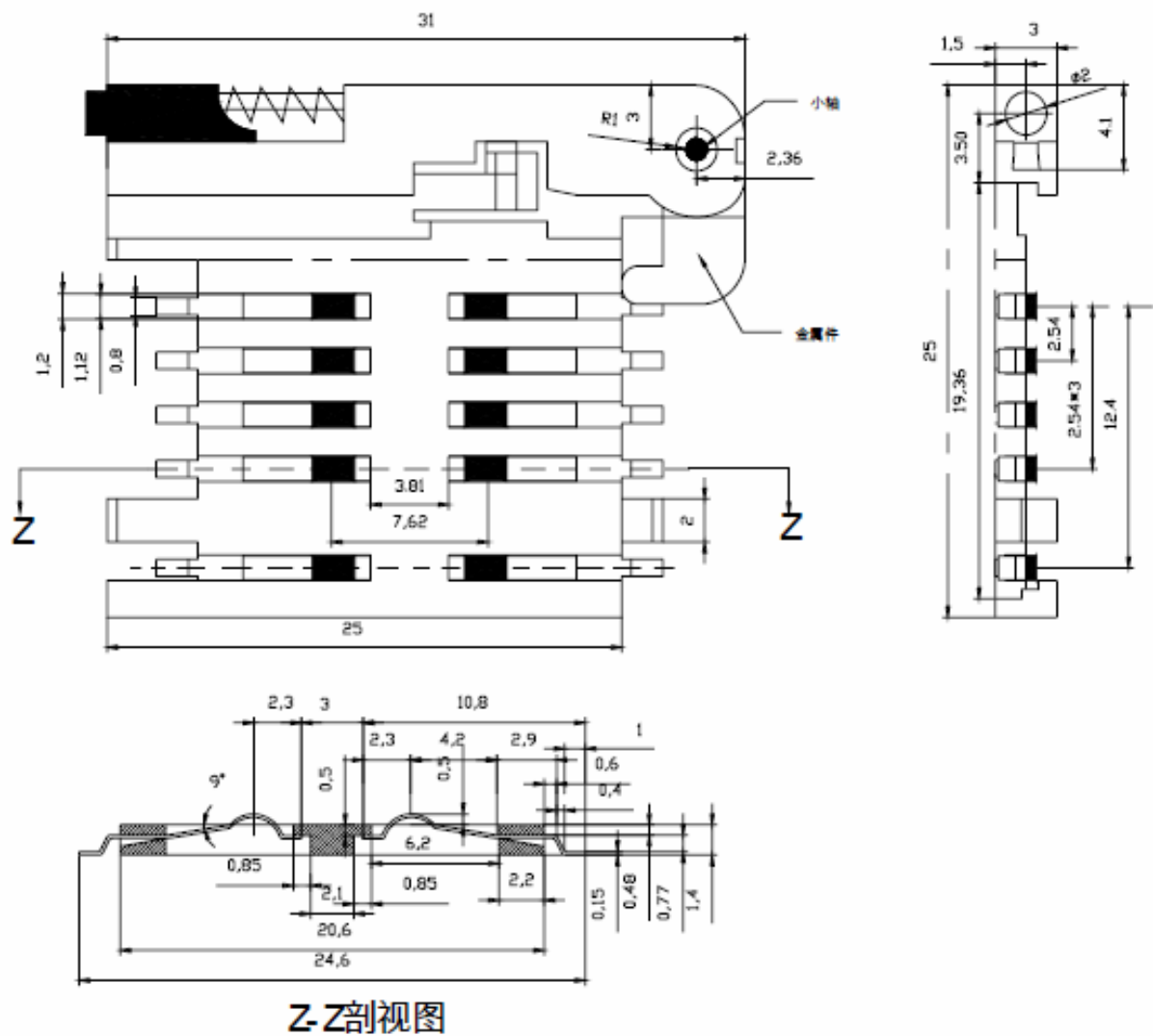
Name	Standard	Description
Soldering veins		Is not suitable
reflux is welded		260°C, 8-10sec. Max
iron is welded	IEC68-2-20	330°C, 3sec. Max

2.5 Environment: according to IEC 68

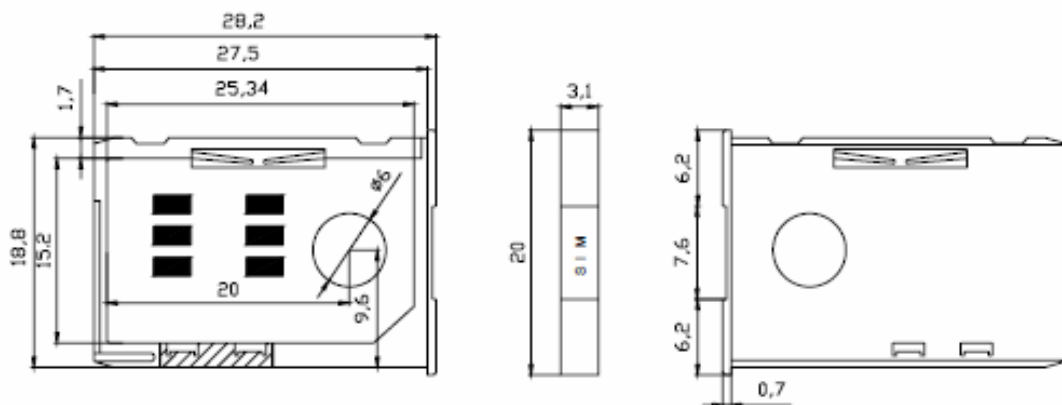
Name	Standard	Elucidation
Environmental temperature		-25°C~+85°C
environmental humidity		10%~95%RH
storage temperature		-25°C~+85°C
storage humidity		10%~95%RH
salt fog experiment	IEC68-2-11	35°C,5%NaCL,48h

3 . Mechanical over all dimensions

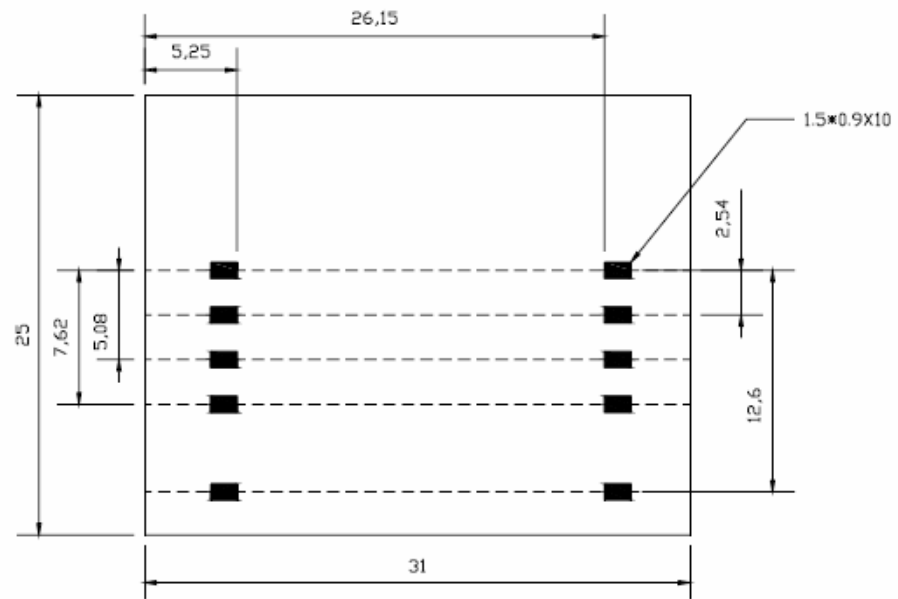
3.1. Support size



3.2. The size of blind flange (drawer)



3.3. Recommend PCB layout (8 pin)



3.4. Recommend PCB layout (6 pin)

