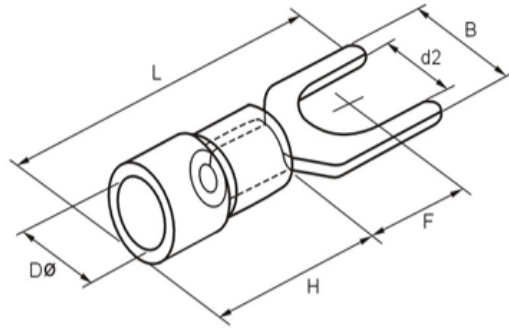


<b>Insulated Terminal,Splice</b>	
Insulated Fork Terminal	2-3
Insulated Ring Terminal	4-5
Insulated Spade Terminal Female	6
Insulated Spade Terminal Male	7
Full-insulated Spade Terminal Female	8
Piggy Back Insulated Spade Terminal	9
Insulated Bullet Terminal Male	10
Insulated Bullet Terminal Female	11
Insulated Butt Splices	12
Insulated Pin Terminal	13

## Insulated Fork Terminal



Cable Size:0.5~1.5 mm<sup>2</sup> (AWG22~16) I<sub>max</sub>=19A Material:brass Thickness:0.75mm

ITEM NO	USA screw	screw dia. d2(mm)	Dimension(mm)					Color
			B	L	F	H	Dφ	
SV 1.25-3	#4	3.2	5.7	21.2	6.5	10	4.3	red
SVS 1.25-3.5	#6	3.7	5.7	21.2	6.5			
SVL 1.25-3.5	#6	3.7	6.4	21.2	6.5			
SVS 1.25-4	#8	4.3	6.4	21.2	6.5			
SVM 1.25-4	#8	4.3	7.2	21.2	6.5			
SVL 1.25-4	#8	4.3	8.1	21.2	6.5			
SVS 1.25-5	#10	5.3	8.1	21.2	6.5			
SVL 1.25-5	#10	5.3	9.5	21.2	6.5			
SVS 1.25-6	1/4	6.4	9.5	21.2	6.5			
SVL 1.25-6	1/4	6.4	12	27.2	11			
SV1.25-8	5/16	8.5	14	29	12.5			

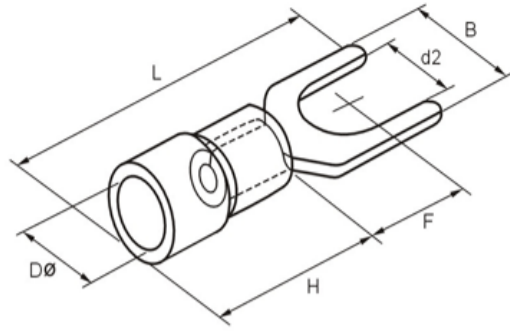
Cable Size:1.5~2.5 mm<sup>2</sup> (AWG16~14) I<sub>max</sub>=27A Material:brass Thickness:0.8mm

ITEM NO	USA screw	screw dia. d2(mm)	Dimension(mm)					Color
			B	L	F	H	Dφ	
SV 2-3	#4	3.2	5.7	21.2	6.5	10	4.9	blue
SVS 2-3.5	#6	3.7	5.7	21.2	6.5			
SVL 2-3.5	#6	3.7	6	21.2	6.5			
SVS 2-4	#8	4.3	6.4	21.2	6.5			
SVM 2-4	#8	4.3	7.2	21.2	6.5			
SVL 2-4	#8	4.3	8.1	21.2	6.5			
SVS 2-5	#10	5.3	8.1	21.2	6.5			
SVL 2-5	#10	5.3	9.5	21.2	6.5			
SVS 2-6	1/4	6.4	9.5	21.2	6.5			
SVL 2-6	1/4	6.4	12	27.2	11			
SV2-8	5/16	8.5	14	29	12.5			

Cable Size:2.5~4 mm<sup>2</sup> (AWG14~12) I<sub>max</sub>=37A Material:brass Thickness:1.0mm

ITEM NO	USA screw	screw dia. d2(mm)	Dimension(mm)					Color
			B	L	F	H	Dφ	
SV 3.5-3	#4	3.2	5.7	24.8	7	13	6.2	black
SV 3.5-4	#8	4.3	8	24.8	7			
SV 3.5-5	#10	5.3	8	24.8	7			
SV 3.5-6	1/4	6.4	12	28	12.1			

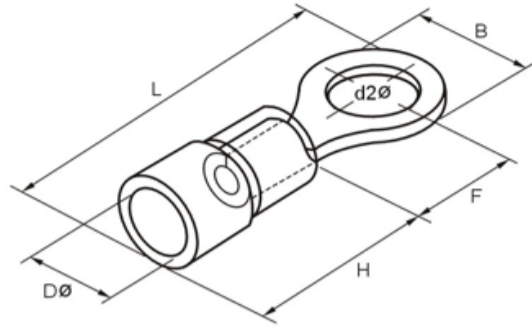
## Insulated Fork Terminal-Continued



Cable Size:4~6mm<sup>2</sup> (AWG12~10) I<sub>max</sub>=48A Material:brass Thickness:1.0mm

ITEM NO	USA screw	screw dia. d2 (mm)	Dimension (mm)					Color
			B	L	F	H	Dφ	
SV 5.5-3.5	#6	3.7	8.3	25.2	7.5	13	6.7	yellow
SVS 5.5-4	#8	4.3	8.3	25.2	7.5			
SVL 5.5-4	#8	4.3	9	25.2	7.5			
SV 5.5-5	#10	5.3	9	25.2	7.5			
SVS 5.5-6	1/4	6.4	9	25.2	7.5			
SVL 5.5-6	1/4	6.4	12	31.2	12			
SV 5.5-8	5/16	8.4	14	30	11.5			

## Insulated Ring Terminal



Cable Size:0.5~1.5 mm<sup>2</sup> (AWG22~16) I<sub>max</sub>=19A Material:brass Thickness:0.8mm

ITEM NO	USA screw	screw dia. d2(mm)	Dimension (mm)					Color
			B	L	F	H	Dφ	
RV 1.25-3.2	#4	3.2	5.7	17.8	4.95	10	4.3	red
RV 1.25-3.7S	#6	3.7	5.7	17.8	4.95			
RV 1.25-3.7M	#6	3.7	6.6	20.1	6.3			
RV 1.25-3.7L	#6	3.7	8	21.5	7			
RV 1.25-4 S	#8	4.3	6.6	20.1	6.3			
RV 1.25-4L	#8	4.3	8	21.5	7			
RV 1.25-5	#10	5.3	8	21.5	7			
RV 1.25-5 L	#10	5.3	9.5	23	8.5			
RV 1.25-6 S	1/4	6.4	9.8	23	8.5			
RV 1.25-6	1/4	6.4	11.6	27.5	11.1			
RV 1.25-8	5/16	8.4	11.6	27.5	11.1			
RV 1.25-10	3/8	10.5	13.6	31.6	13.9			
RV 1.25-12	1/2	13	19.2	35.4	16			

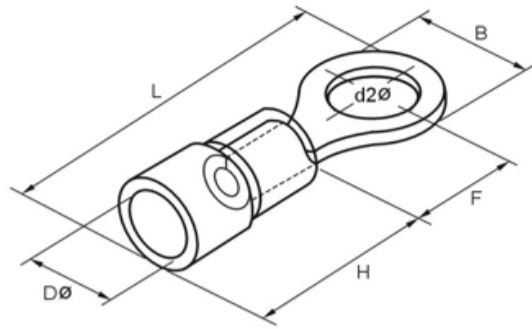
Cable Size:1.5~2.5 mm<sup>2</sup> (AWG16~14) I<sub>max</sub>=27A Material:brass Thickness:0.8mm

ITEM NO	USA screw	screw dia. d2(mm)	Dimension (mm)					Color
			B	L	F	H	Dφ	
RV 2-3.2	#4	3.2	6.6	20	6.5	10	4.9	blue
RV 2-3.7S	#6	3.7	6.6	20	6.5			
RV 2-3.7M	#6	3.7	6.6	21	7			
RV 2-3.7L	#6	3.7	8.5	22.5	7.75			
RV 2-4S	#8	4.3	6.6	21	7			
RV 2-4L	#8	4.3	8.5	22.5	7.75			
RV 2-5S	#10	5.3	8.5	22.5	7.75			
RV 2-5L	#10	5.3	9.5	22.5	7.25			
RV 2-6	1/4	6.4	12	27.6	11			
RV 2-8	5/16	8.4	12	27.6	11			
RV 2-10	3/8	10.5	13.6	30.2	13.9			
RV 2-12	1/2	13	19.2	35.4	16			

Cable Size:2.5~4 mm<sup>2</sup> (AWG14~12) I<sub>max</sub>=37A Material:brass Thickness:1.0mm

ITEM NO	USA screw	screw dia. d2(mm)	Dimension (mm)					Color
			B	L	F	H	Dφ	
RV 3.5-4	#8	4.3	8	24.5	7.7	12.5	6.2	black
RV 3.5-5S	#10	5.3	8	24.5	7.7			
RV 3.5-5L	#10	5.3	12	27.9	7.7			
RV 3.5-6	1/4	6.4	12	27.9	7.7			

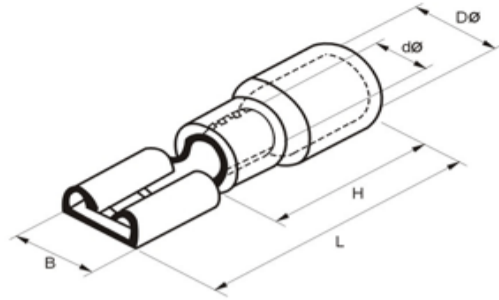
## Insulated Ring Terminal-Continued



Cable Size:4~6 mm<sup>2</sup> (AWG12~10) I<sub>max</sub>=48A Material:brass Thickness:1.0mm

ITEM NO	USA screw	screw dia. d2 (mm)	Dimension (mm)					Color
			B	L	F	H	Dφ	
RV 5.5-3.7	#6	3.7	7.2	21.4	5.9	12.5	6.7	yellow
RV 5.5-4S	#8	4.3	7.2	21.4	5.9			
RV 5.5-4L	#8	4.3	9.5	25.5	8.3			
RV 5.5-5	#10	5.3	9.5	25.5	8.3			
RV 5.5-6	1/4	6.4	12	31.5	13			
RV 5.5-8	5/16	8.4	15	33.7	13.7			
RV 5.5-10	3/8	10.5	15	33.7	13.7			
RV 5.5-12	1/2	13	19.2	38.1	16			

## Insulated Spade Terminal Female



Cable size: 0.5~1.5 mm<sup>2</sup> (AWG22~16) I<sub>max</sub>=10A Material:brass

ITEM NO	Name Tab (mm)	Thickness	Dimension (mm)					Color
			B	Dφ	dφ	L	H	
FDD 1.25-110(5)	0.5×2.8	0.3	3.8	3.8	1.7	19	10	red
FDD 1.25-110(8)	0.8×2.8	0.3	3.8	3.8	1.7	19	10	
FDD 1.25-187(5)	0.5×4.75	0.35	5.6	3.8	1.7	19	10	
FDD 1.25-187(8)	0.8×4.75	0.35	5.6	3.8	1.7	19	10	
FDD 1.25-205	0.5×5.2	0.35	6.5	3.8	1.7	20	10	
FDD 1.25-250	0.8×6.35	0.4	7.4	3.8	1.7	21	10	

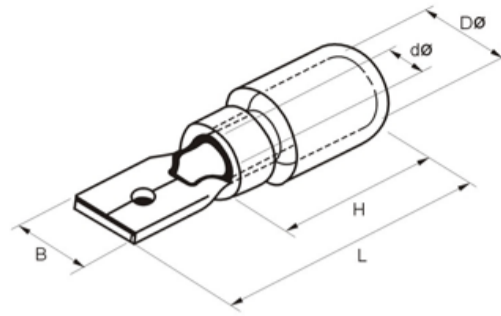
Cable size: 1.5~2.5 mm<sup>2</sup> (AWG16~14) I<sub>max</sub> =15A Material:brass

ITEM NO	Name Tab (mm)	Thickness	Dimension (mm)					Color
			B	Dφ	dφ	L	H	
FDD 2-110(5)	0.5×2.8	0.3	3.8	4.3	2.3	19	10	blue
FDD 2-110(8)	0.8×2.8	0.3	3.8	4.3	2.3	19	10	
FDD 2-187(5)	0.5×4.75	0.35	5.6	4.3	2.3	19	10	
FDD 2-187(8)	0.8×4.75	0.35	5.6	4.3	2.3	19	10	
FDD 2-205	0.5×5.2	0.35	6.5	4.3	2.3	20	10	
FDD 2-250	0.8×6.35	0.4	7.4	4.3	2.3	21	10	
FDD 2-312	0.8×8.0	0.4	9	4.3	2.3	23	10	

Cable size: 4~6 mm<sup>2</sup> (AWG12~10) I<sub>max</sub>=24A Material:brass

ITEM NO	Name Tab (mm)	Thickness	Dimension (mm)					Color
			B	Dφ	dφ	L	H	
FDD 5.5-250	0.8×6.35	0.4	7.4	5.7	3.4	25	13	yellow
FDD 5.5-375	1.2×9.4	0.5	10.9	5.7	3.4	29.6	13	

## Insulated Spade Terminal Male

Cable size:0.5~1.5 mm<sup>2</sup> (AWG22~16) I<sub>max</sub>=10A Material:brass

ITEM NO	Name Tab (mm)	Thickness	Dimension (mm)					Color
			B	D φ	d φ	L	H	
MDD 1.25-110(5)	0.5×2.8	0.5	2.8	1.7	4.3	17.7	10	red
MDD 1.25-110(8)	0.8×2.8	0.8	2.8	1.7	4.3	17.7	10	
MDD 1.25-187(5)	0.5×4.75	0.5	4.75	1.7	4.3	20	10	
MDD 1.25-187(8)	0.8×4.75	0.8	4.75	1.7	4.3	20	10	
MDD 1.25-250	0.8×6.35	0.4×2	6.35	1.7	4.3	21	10	

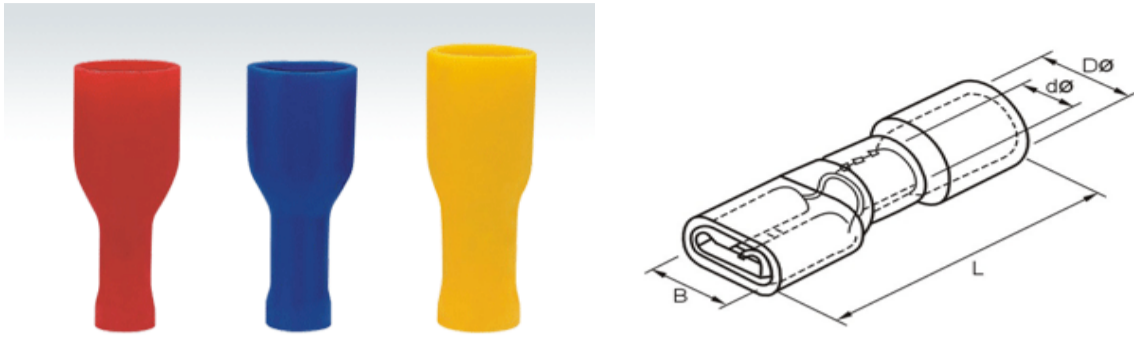
Cable size:1.5~2.5 mm<sup>2</sup> (AWG16~14) I<sub>max</sub>=15A Material:brass

ITEM NO	Name Tab (mm)	Thickness	Dimension (mm)					Color
			B	D φ	d φ	L	H	
MDD 2-187(5)	0.5×4.75	0.5	4.75	2.3	4.3	20	10	blue
MDD 2-187(8)	0.8×4.75	0.8	4.75	2.3	4.3	20	10	
MDD 2-250	0.8×6.35	0.4×2	6.35	2.3	4.3	21	10	

Cable size:4~6 mm<sup>2</sup> (AWG12~10) I<sub>max</sub>=24A Material:brass

ITEM NO	Name Tab (mm)	Thickness	Dimension (mm)					Color
			B	D φ	d φ	L	H	
MDD 5.5-250	0.8×6.35	0.4×2	6.35	3.4	5.7	25	13	yellow

## Full-insulated Spade Terminal Female



Cable size:0.5~1.5 mm<sup>2</sup> (AWG 22~16) I<sub>max</sub>=10A Material:brass

ITEM NO	Name Tab (mm)	Dimension (mm)			
		B	D φ	d φ	L
FDFD 1.25-187(5)	0.5×4.75	5.6	3.8	1.7	20
FDFD 1.25-187(8)	0.8×4.75	5.6	3.8	1.7	20
FDFD 1.25-250	0.8×6.35	7.4	3.8	1.7	21.5

Cable size:0.5~1.5 mm<sup>2</sup> (AWG 22~16) I<sub>max</sub>=10A Material:brass

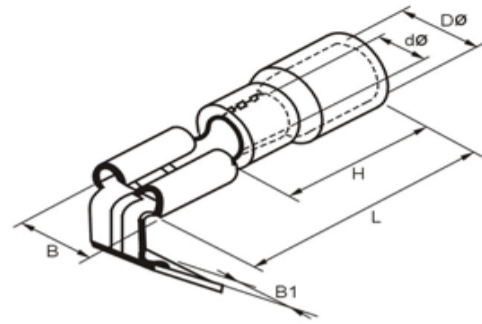
ITEM NO	Name Tab (mm)	Dimension (mm)			
		B	D φ	d φ	L
FDFD 2-187(5)	0.8×4.75	5.6	4.3	2.3	20
FDFD 2-187(8)	0.8×4.75	5.6	4.3	2.3	20
FDFD 2-250	0.8×6.35	7.4	4.3	2.3	21.5

Cable size:0.5~1.5 mm<sup>2</sup> (AWG 22~16) I<sub>max</sub>=10A Material:brass

ITEM NO	Name Tab (mm)	Dimension (mm)			
		B	D φ	d φ	L
FDFD 5.5-250	0.8×6.35	7.4	5.7	3.4	25.5



## Piggy Back Insulated Spade Terminal



Cable size:0.5~1.5 mm<sup>2</sup> (AWG22~16) I<sub>max</sub>=10A Material:brass

ITEM NO	Name Tab (mm)	Dimension (mm)					
		B	B1	H	D φ	d φ	L
PBDD 1.25-250	0.8×6.35	7.4	6.35	10	3.8	1.7	21.5

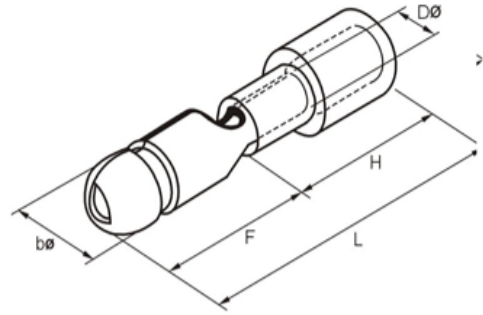
Cable size:1.5~2.5 mm<sup>2</sup> (AWG16~14) I<sub>max</sub>=15A Material:brass

ITEM NO	Name Tab (mm)	Dimension (mm)					
		B	B1	H	D φ	d φ	L
PBDD 2-250	0.8×6.35	7.4	6.35	10	4.3	2.3	21.5

Cable size:4~6 mm<sup>2</sup>(AWG12~10) I<sub>max</sub>=24A Material:brass

ITEM NO	Name Tab (mm)	Dimension (mm)					
		B	B1	H	D φ	d φ	L
PBDD 5.5-250	0.8×6.35	7.4	6.35	13	5.7	3.4	25

## Insulated Bullet Terminal Male



Cable size: 0.5~1.5 mm<sup>2</sup> (AWG22~16) I<sub>max</sub>=10A Material:brass

ITEM NO	Thickness	Dimension (mm)					Color
		B	D φ	d φ	L	H	
MPD 1.25-156	0.4	4	11	1.7	10	21	red

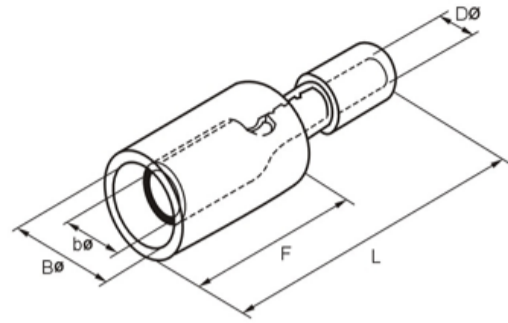
Cable size: 1.5~2.5 mm<sup>2</sup> (AWG16~14) I<sub>max</sub>=15A Material:brass

ITEM NO	Thickness	Dimension (mm)					Color
		B	D φ	d φ	L	H	
MPD 2-156	0.4	4	11	2.3	10	21	blue
MPD 2-195	0.4	5	11	2.3	10	21	

Cable size: 4~6 mm<sup>2</sup> (AWG12~10) max=24A Material:brass

ITEM NO	Thickness	Dimension (mm)					Color
		B	D φ	d φ	L	H	
MPD 5.5-195	0.4	5	12	3.4	13	25	yellow

## Insulated Bullet Terminal Female



Cable size: 0.5~1.5 mm<sup>2</sup> (AWG22~16) I<sub>max</sub>=10A Material:brass

ITEM NO	Thickness	Dimension (mm)					Color
		B	Dφ	dφ	L	H	
FRD 1.25-156	0.4	4	6.3	1.7	13	24.5	red

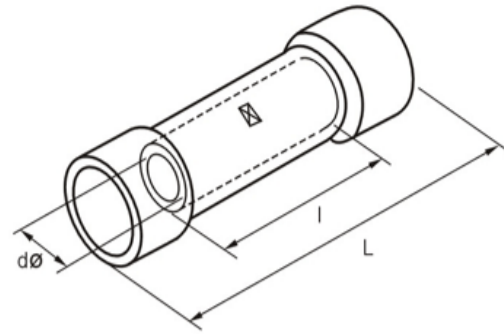
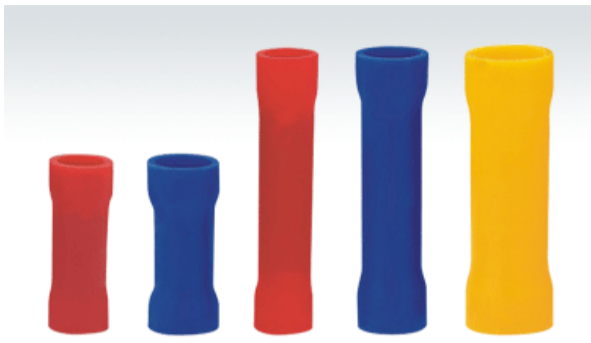
Cable size: 1.5~2.5 mm<sup>2</sup> (AWG22~16) I<sub>max</sub>=15A Material:brass

ITEM NO	Thickness	Dimension (mm)					Color
		B	Dφ	dφ	L	H	
FRD 2-156	0.4	4	6.3	2.3	14	24.5	blue
FRD 2-195	0.4	5	7	2.3	14	25.5	

Cable size: 4~6 mm<sup>2</sup> (AWG12~10) I<sub>max</sub>=24A Material:brass

ITEM NO	Thickness	Dimension (mm)					Color
		B	Dφ	dφ	L	H	
FRD 5.5-195	0.4	5	7	3.4	14	29.5	yellow

## Insulated Butt Splices



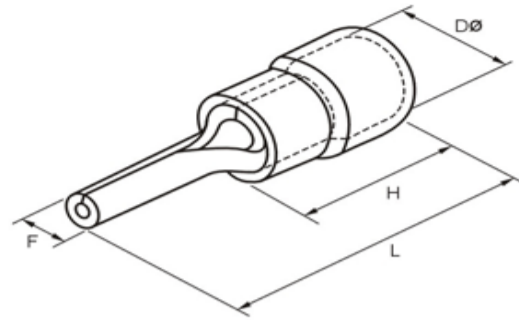
Material:purple copper Insulated material:PVC

ITEM NO	Cable Size		Dimension (mm)			Imax	Color
	A. W. G	mm <sup>2</sup>	I	d φ	L		
BV 1.25	22-16	0.5-1.5	15	1.7	26	19A	red
BV 2	16-14	1.5-2.5	15	2.3	26	27A	blue
BV 5.5	12-10	4/6	15	3.4	26	48A	yellow
BV 8	#8	6/10	21	4.5	32	62A	red
BV 14	#6	10/16	26	5.8	42	88A	blue
BV 22	#4	16-25	29	7.7	50	115A	yellow
BV 38	#2	35-50	32	9.4	55	160A	red

Material:purple copper Insulated material:PVC

ITEM NO	Cable Size		Dimension (mm)			Imax	Color
	A. W. G	mm <sup>2</sup>	I	d φ	L		
PVT 1.25	22-16	0.5-1.5	8	1.7	16	19A	red
PVT 2	16-14	1.5-2.5	8	2.3	16	27A	blue
PVT 5.5	12-10	4/6	8	3.4	20.5	48A	yellow

## Insulated Pin Terminal



Cable size:0.5~1.5 mm<sup>2</sup> (AWG22~16) I<sub>max</sub>=19A Material:purple copper Thickness:0.75mm

ITEM NO	Dimension(mm)				Color
	F	L	H	Dφ	
PTV 1.25-9	1.9	19	10	4.3	red
PTV 1.25-10	1.9	20			
PTV 1.25-12	1.9	22			
PTV 1.25-13	1.9	23			
PTV 1.25-18	1.9	28			

Cable size:1.5~2.5mm<sup>2</sup> (AWG16~14) max=27A Material:purple copper Thickness:0.8mm

ITEM NO	Dimension(mm)				Color
	F	L	H	Dφ	
PTV 2-9	1.9	19	10	4.9	blue
PTV 2-10	1.9	20			
PTV 2-12	1.9	22			
PTV 2-13	1.9	23			
PTV 2-18	1.9	28			

Cable size:2.5~4 mm<sup>2</sup>(AWG14~12) I<sub>max</sub>=36A Material:purple copper Thickness:1.0mm

ITEM NO	Dimension(mm)				Color
	F	L	H	Dφ	
PTV 3.5-9	2.8	20	13	6.2	black
PTV 3.5-10	2.8	25.5			

Cable size:4~6 mm<sup>2</sup>(AWG12~10) I<sub>max</sub>=48A Material:purple copper Thickness:1.0mm

ITEM NO	Dimension(mm)				Color
	F	L	H	Dφ	
PTV 5.5-13	2.8	25.5	13	6.7	yellow