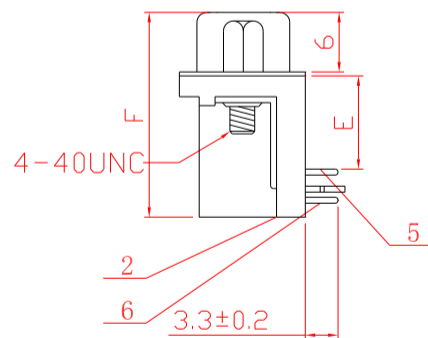
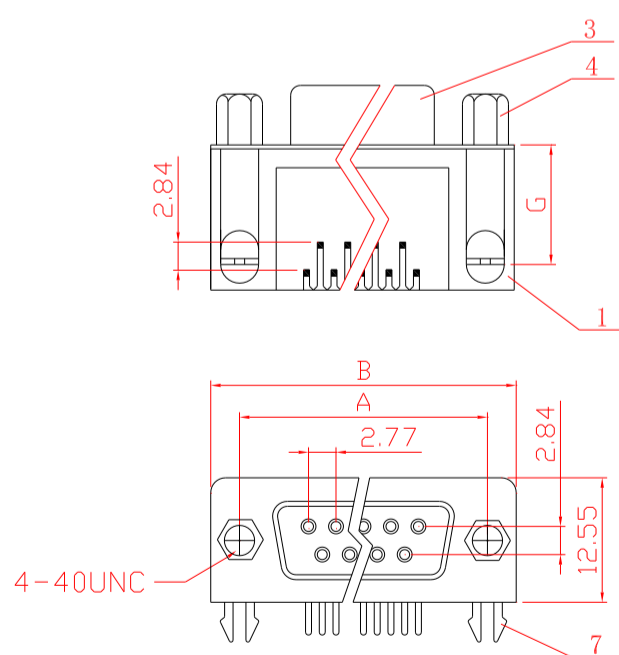


Corporation TRIMMER www.trimmer.ru



Specifications:

Contact Resistance: 30mΩ max.at DCdc 100 mA
 Insulator Resistance: 1000MΩ min.at DC 500V
 Current Rating: 5AMP
www.trimmer.ru
 Dielectric Withstanding
 Voltage: AC 1000V For 1 minute
 Operating Temperature: -55°C--+105°C
 Contact: Phosphor bronze
 Housing: PBT &30% Glass Fiber(UL 94V-0)

Position	A	B
9	24.99	31.04
15	33.32	39.24
25	47.04	53.04
37	63.50	69.62

E	F	G
7.2	18.4	9.62
9.4	20.64	12.06
13.84	25.3	16.5

DRB09FA , DRB15FA , DRB25FA , DRB37FA (E = 7.20 mm.)