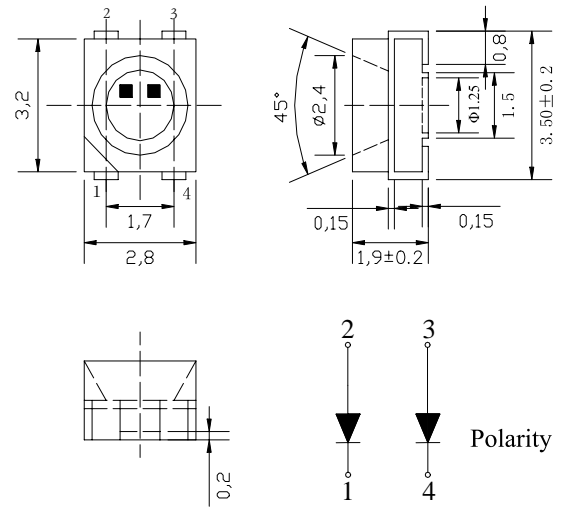


GNL-1210UEUGC (3.2X2.8mm TOP TYPE) Ultra Brightness LED

ABSOLUTE MAXIMUM RATING:(Ta=25°C)

Parameter	UE	UG	Unit
DC Forward Current	25	25	mA
Reverse Voltage	5	5	V
Reverse Current (Vr=5V)	10	10	μA
Peak Forward Current ,tw ,=1 msec Duty ,=1/20	80	60	mA
Operation Temperature	-30—85		°C
Storage Temperature	-40—100		°C
Solder Dip (5 seconds,1.6mm from body) Temperature	260	260	°C



Features:

1. Compatible with automatic placement equipment
2. Compatible with reflow solder process
3. Packing:2000pcs/reel

Applications:

1. Automotive and Telecommunication
2. General use for indicators

Part Number	EMITTED COLOR		Lens Color	Peak Wavelength (nm)	Vf (v) Typ	IV (If=20mA) mcd		View Angle 2 θ 1/2
						Min.	Typ.	
1210EGC	GaP	Super Orange Red	Water Clear	625	2.1	12	15	120°
	GaP	Yellow Green		565	2.0	9	12	
1210UEUGC	AlGaInP	Super Orange Red	Water Clear	625	2.1	100	150	120°
	AlGaInP	Yellow Green		572	2.2	60	100	